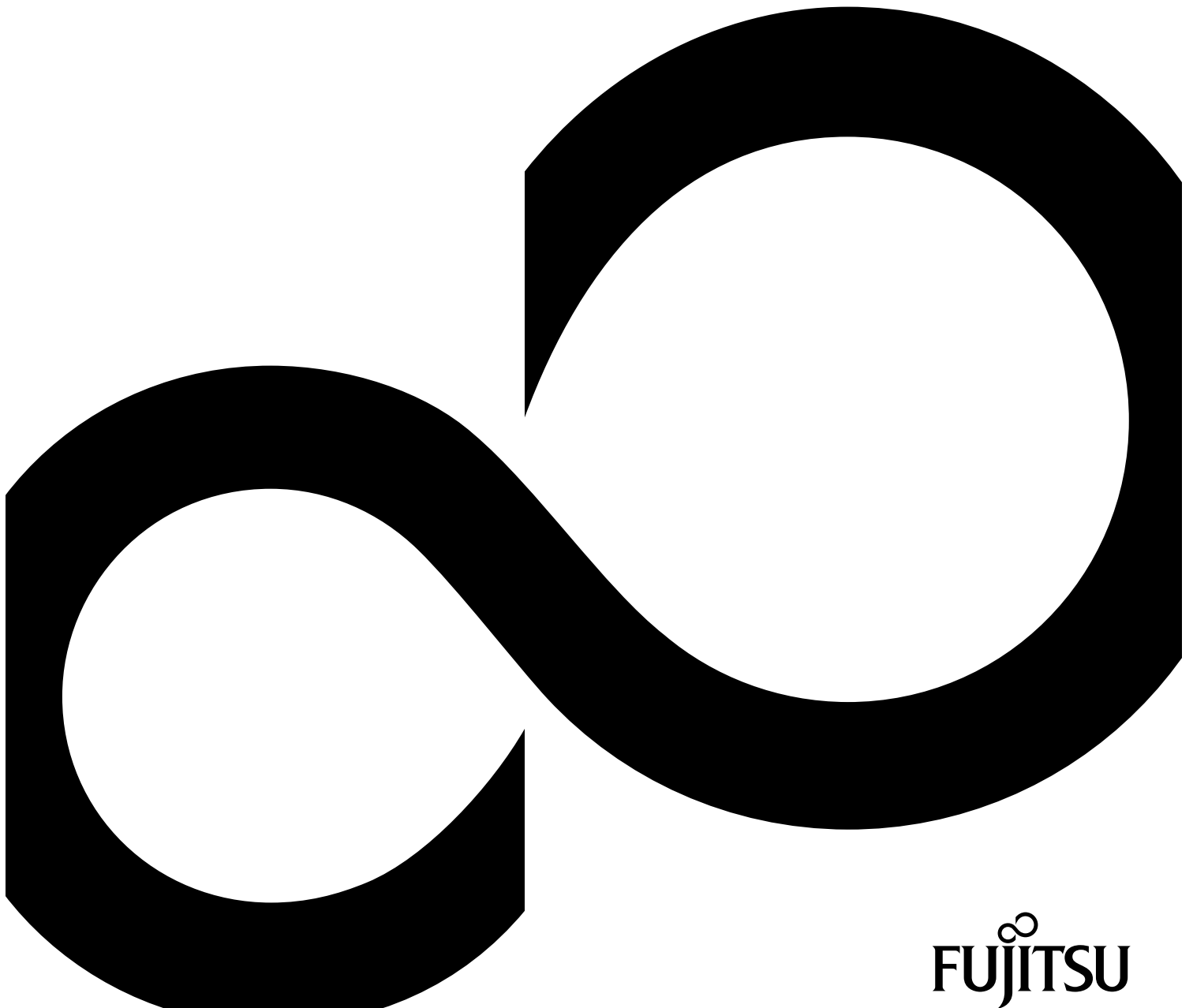
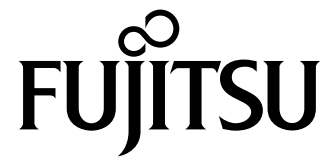


FUJITSU LIFEBOOK E734  
FUJITSU LIFEBOOK E744  
FUJITSU LIFEBOOK E754

---





**Contact address in North America**

FUJITSU AMERICA INC:

1250 East Arques Avenue Sunnyvale

CA 94085-3470, U.S.A.

Telephone: 800 831 3183 or 408 746 6000

["http://solutions.us.fujitsu.com"](http://solutions.us.fujitsu.com)

["http://solutions.us.fujitsu.com/contact"](http://solutions.us.fujitsu.com/contact)

Have a question? Email us at: ["AskFujitsu@us.fujitsu.com"](mailto:AskFujitsu@us.fujitsu.com)

**Copyright**

© 2014 Fujitsu America, Inc. All rights reserved.

B5FK-2321-01ENZO

# **FUJITSU LIFEBOOK E734**

# **FUJITSU LIFEBOOK E744**

# **FUJITSU LIFEBOOK E754**

## Operating Manual

<b>Fujitsu Contact Information</b>	<b>7</b>
<b>Notational conventions</b>	<b>8</b>
<b>Ports and controls</b>	<b>9</b>
<b>Important notes</b>	<b>14</b>
<b>First-time setup of your device</b>	<b>18</b>
<b>Working with the notebook</b>	<b>21</b>
<b>Security functions</b>	<b>53</b>
<b>Connecting external devices</b>	<b>59</b>
<b>Removing and installing components during servicing</b>	<b>65</b>
<b>Settings in BIOS Setup Utility</b>	<b>73</b>
<b>Troubleshooting and tips</b>	<b>75</b>
<b>Technical data</b>	<b>82</b>
<b>Manufacturer's notes</b>	<b>85</b>
<b>Index</b>	<b>90</b>

## Copyright and Trademark Information

Fujitsu America, Incorporated has made every effort to ensure the accuracy and completeness of this document; however, as ongoing development efforts are continually improving the capabilities of our products, we cannot guarantee the accuracy of the contents of this document. We disclaim liability for errors, omissions, or future changes.

Fujitsu, the Fujitsu logo and LIFEBOOK are registered trademarks of Fujitsu Limited or its subsidiaries in the United States and other countries.

Intel and Intel Core are trademarks or registered trademarks of Intel Corporation or its subsidiaries in the United States and other countries.

Microsoft and Windows are either registered trademarks or trademarks of Microsoft Corporation in the United States and/or other countries.

The ExpressCard word mark and logo are owned by the Personal Computer Memory Card International Association (PCMCIA) and any use of such marks by Fujitsu America, Incorporated is under license.

Google is a trademark or registered trademark of Google Incorporated.

Bluetooth is a trademark of Bluetooth SIG, Inc., USA.

OmniPass is a trademark of Softex, Inc.

Roxio is a trademark of Roxio, a division of Sonic Solutions.

PowerDirector, PowerDVD, YouCam, and MakeDisc are trademarks of CyberLink Corp.

Adobe, Acrobat, and Adobe Reader are either a registered trademarks or trademarks of Adobe Systems Incorporated in the United States and/or other countries.



Made under license from DTS Licensing Limited. DTS and the symbol are registered trademarks and & DTS Boost is a trademark of DTS, Inc. Product contains software. © DTS, Inc. All rights reserved.

The DVD player found in some models of the LIFEBOOK notebook incorporates copyright protection technology that is protected by method claims of certain U.S. patents and other intellectual property rights owned by Macrovision Corporation and other rights users. Use of this copyright protection technology must be authorized by Macrovision Corporation, and is intended for home and other limited viewing uses only unless authorized by Macrovision Corporation. Reverse engineering or disassembly is prohibited.

All other trademarks specified here are the property of their respective owners.

# Contents

<b>Fujitsu Contact Information</b> .....	<b>7</b>
<b>Notational conventions</b> .....	<b>8</b>
<b>Ports and controls</b> .....	<b>9</b>
<b>Important notes</b> .....	<b>14</b>
Safety notes .....	14
Additional safety notes for devices with radio components .....	15
Energy saving .....	15
Energy saving under Windows .....	15
Travelling with your notebook .....	16
Before you travel .....	16
Notebook: transporting .....	17
Cleaning the notebook .....	17
<b>First-time setup of your device</b> .....	<b>18</b>
Unpacking and checking the device .....	18
Selecting a location .....	19
AC adapter connecting .....	19
Switching on the device for the first time .....	20
Installing Bonus Apps .....	20
<b>Working with the notebook</b> .....	<b>21</b>
Status indicators .....	21
Switching on the notebook .....	23
Notebook: switching off .....	23
Keyboard .....	24
Virtual numeric keypad .....	26
Separate number block .....	27
Key combinations .....	27
Country and keyboard settings .....	29
Application keys .....	29
Touchpad and touchpad buttons .....	30
Moving the pointer .....	30
Change mouse properties .....	30
Selecting an item .....	30
Executing commands .....	31
Dragging items .....	31
LCD screen .....	31
Webcam .....	32
Rechargeable battery .....	33
Charging, caring for and maintaining the battery .....	33
Removing and installing the battery .....	33
Modular bay devices .....	35
Removing a modular bay device .....	36
Installing a modular bay devices .....	36
Optical drive .....	37
Handling optical disks .....	37
CD/DVD indicator .....	37
Inserting or removing an optical disk .....	38
Manual removal (emergency removal) .....	38

Removing and installing the removeable dust filter .....	39
Using the power-management features .....	40
SD cards .....	41
Supported formats .....	41
Inserting the SD card .....	41
Removing the SD card .....	41
Speakers and microphones .....	42
SIM card .....	42
Inserting the SIM card .....	43
Removing the SIM card .....	44
Wireless LAN/Bluetooth/UMTS/LTE radio components .....	45
Switching the wireless components on and off .....	45
4G Activation for VZW and AT&T .....	46
Further information on WLAN and Bluetooth .....	46
Access via Wireless WAN .....	46
Ethernet and LAN .....	47
Your Port Replicator (optional) .....	48
Ports on the Port Replicator .....	48
Connecting the notebook to the Port Replicator .....	50
Connecting the AC adapter to the Port Replicator .....	51
Switching on the notebook via the port replicator .....	51
Disconnecting the notebook from the Port Replicator .....	52
<b>Security functions .....</b>	<b>53</b>
Configuring the fingerprint sensor .....	53
Using the Security Lock .....	54
Configuring password protection in BIOS Setup Utility .....	54
Protecting BIOS Setup Utility (supervisor and user HDD password) .....	55
Password protection for booting of the operating system .....	56
Trusted Platform Module (TPM) (device-dependent) .....	57
Enabling TPM .....	57
Disabling TPM .....	57
SmartCard reader .....	58
Inserting the SmartCard .....	58
<b>Connecting external devices .....</b>	<b>59</b>
Connecting an external monitor .....	60
HDMI port .....	61
Connecting USB devices .....	62
USB port with charging function (Anytime USB charge) .....	63
How to remove USB devices correctly .....	63
Connecting external audio devices .....	64
Microphone port/Line In .....	64
Headphone port .....	64
<b>Removing and installing components during servicing .....</b>	<b>65</b>
Notes on installing and removing boards and components .....	65
Preparing to remove components .....	66
Removing and installing the memory expansion .....	66
Removing the cover .....	67
Removing memory modules .....	67
Installing a memory module .....	68
Attaching the cover .....	68
Removing and installing the hard disk .....	69

Removing the cover .....	69
Removing the hard disk .....	70
Installing the hard disk .....	71
Attaching the cover .....	72
Finishing component removal .....	72
<b>Settings in BIOS Setup Utility .....</b>	<b>73</b>
Starting the BIOS Setup Utility .....	73
Operating BIOS Setup Utility .....	73
Exiting BIOS Setup Utility .....	74
Exit Saving Changes – save changes and exit BIOS Setup Utility .....	74
Exit Discarding Changes – Discard changes and exit BIOS Setup Utility .....	74
Load Setup Defaults – Copy Standard Entries .....	74
Discard Changes – Discard changes without exiting the BIOS Setup Utility .....	74
Save Changes – save changes without exiting the BIOS Setup Utility .....	74
Save Changes and Power Off .....	74
<b>Troubleshooting and tips .....</b>	<b>75</b>
Help if problems occur .....	75
Recovering your Factory Image .....	75
The notebook's date or time is incorrect .....	76
When certain characters are entered on the keyboard, only numerals are written .....	76
The notebook's LCD screen remains blank .....	76
The LCD screen is difficult to read .....	76
The external monitor remains blank .....	77
The external monitor is blank or the image is unstable .....	77
The notebook cannot be started .....	78
The notebook stops working .....	78
The printer does not print .....	78
The radio connection to a network does not work .....	79
Acoustic warnings .....	79
SmartCard reader is not recognized .....	79
SmartCard PIN forgotten .....	79
SmartCard lost .....	79
Error messages on the screen .....	80
<b>Technical data .....</b>	<b>82</b>
LIFEBOOK .....	83
Rechargeable battery .....	84
AC adapter (3 pin, 60 W and 90 W) .....	84
<b>Manufacturer's notes .....</b>	<b>85</b>
Disposal and recycling .....	85
Recycling your battery .....	85
Declarations of Conformity .....	85
Regulatory notices .....	86
FCC Notices .....	86
DOC (Industry CANADA) notice .....	87
ENERGY STAR Compliance .....	89
<b>Index .....</b>	<b>90</b>



# Fujitsu Contact Information

## Service and Support

You can contact Fujitsu Service and Support in the following ways:

- Toll free: 1-800-Fujitsu (1-800-838-5487)
- Website: "<http://solutions.us.fujitsu.com/www/content/support/contact/index.php>"



Before you place the call, you should have the following information ready so that the customer support representative can provide you with the fastest possible solution:

- Product name
- Product configuration number
- Product serial number
- Purchase date
- Conditions under which the problem occurred
- Any error messages that have occurred
- Type of device connected, if any

## Fujitsu Shopping Online

Please go to "<http://www.shopfujitsu.com/store/>".





## Maintaining Latest Configuration

To ensure that you always have the most current driver updates related to your system, you should occasionally access the Fujitsu Software Download Manager (FSDM) utility. The FSDM utility is available from the Fujitsu Support site. FSDM will allow you to view a list of the most current drivers, utilities, and applications to determine whether you have the latest versions. If you have a Windows 7 operating system, you will need to go to the Support Site to download the FSDM Utility: "<http://support.fujitsupc.com/CS/Portal/support.do?srch=DOWNLOADS>".

## Limited Warranty

Your LIFEBOOK notebook is backed by a Fujitsu International Limited Warranty. Check the service kit that came with your notebook for the Limited Warranty period and terms and conditions.

# Notational conventions

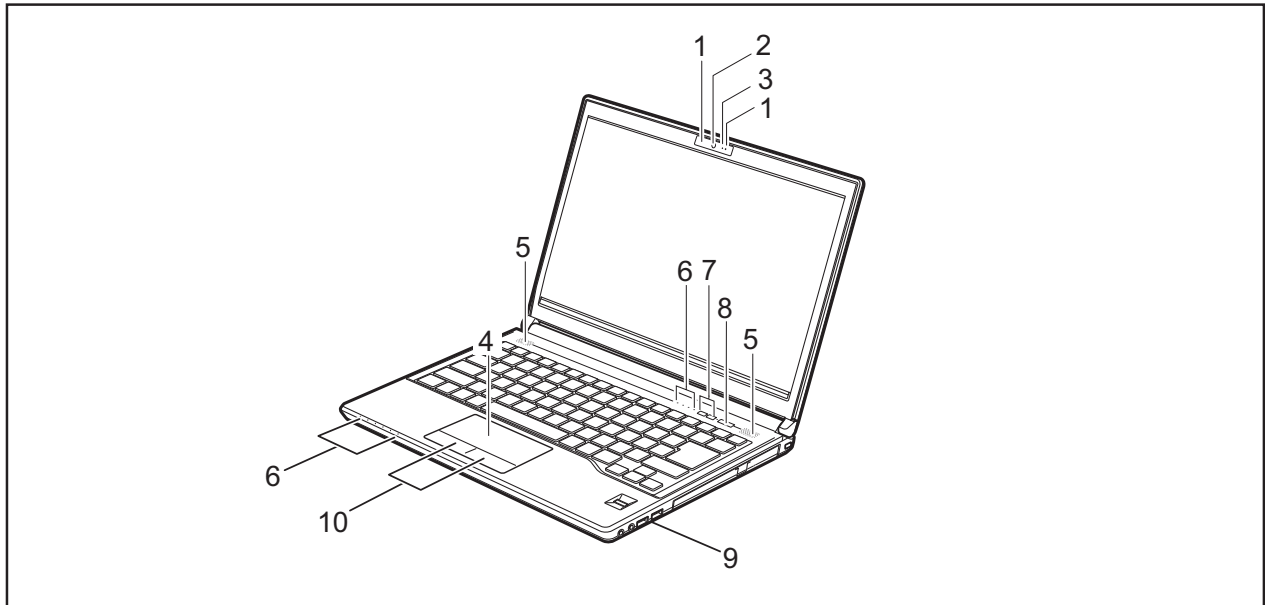
	Pay particular attention to text marked with this symbol. Failure to observe these warnings could pose a risk to health, damage the device or lead to loss of data. The warranty will be invalidated if the device becomes defective through failure to observe these warnings.
	Indicates important information for the proper use of the device.
	Indicates an activity that must be performed
	Indicates a result
<b>This font</b>	indicates data entered using the keyboard in a program dialogue or at the command line, e.g. your password ( <b>Name123</b> ) or a command used to start a program ( <b>start.exe</b> )
This font	indicates information that is displayed on the screen by a program, e.g.: Installation is complete.
<i>This font</i>	Indicates <ul style="list-style-type: none"> <li>terms and texts used in a software interface, e.g.: Click on <i>Save</i></li> <li>names of programs or files, e.g. <i>Windows</i> or <i>setup.exe</i>.</li> </ul>
"This font"	Indicates <ul style="list-style-type: none"> <li>cross-references to another section, e.g. "Safety information"</li> <li>cross-references to an external source, e.g. a web address: For more information, go to "<a href="http://solutions.us.fujitsu.com/">http://solutions.us.fujitsu.com/</a>"</li> <li>Names of CDs, DVDs and titles or designations for other materials, e.g.: "CD/DVD Drivers &amp; Utilities" or "Safety/Regulations" manual</li> </ul>
<span style="border: 1px solid black; padding: 2px;">Key</span>	indicates a key on the keyboard, e.g: <span style="border: 1px solid black; padding: 2px;">F10</span>
<b>This font</b>	indicates terms and texts that are emphasized or highlighted, e.g.: <b>Do not switch off the device</b>

# Ports and controls

This chapter presents the individual hardware components of your device. It gives an overview of the indicators and ports of the device. Please familiarize yourself with these components before you start to work with the device.

## Front

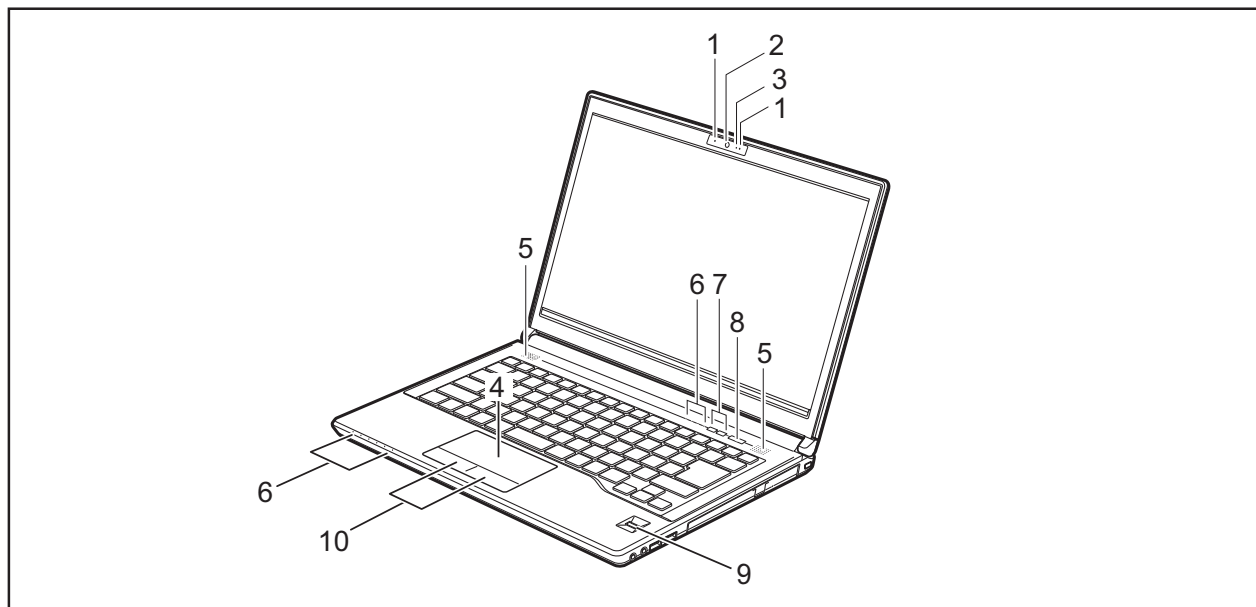
### LIFEBOOK E734:



- 1 = Microphone (optional)
- 2 = WebCam (optional)
- 3 = WebCam LED (optional)
- 4 = Touchpad
- 5 = Speakers

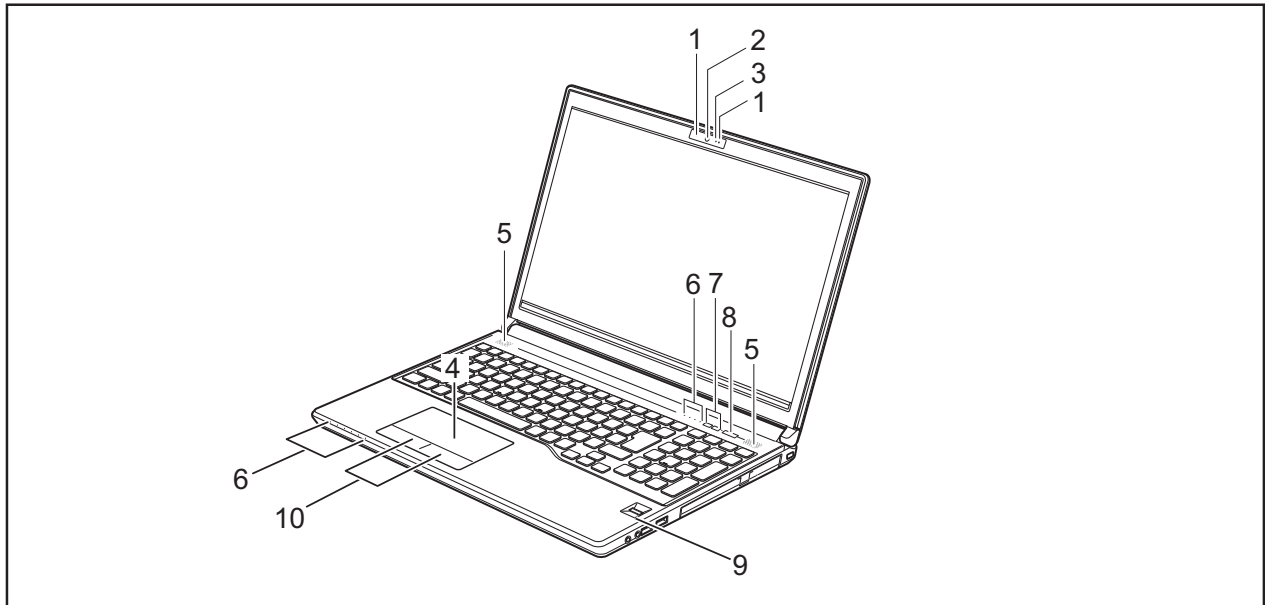
- 6 = Status indicators
- 7 = Wireless/Bluetooth and ECO on/off buttons
- 8 = Power ON/OFF button
- 9 = Fingerprint sensor (optional)
- 10 = Touchpad buttons

### LIFEBOOK E744:



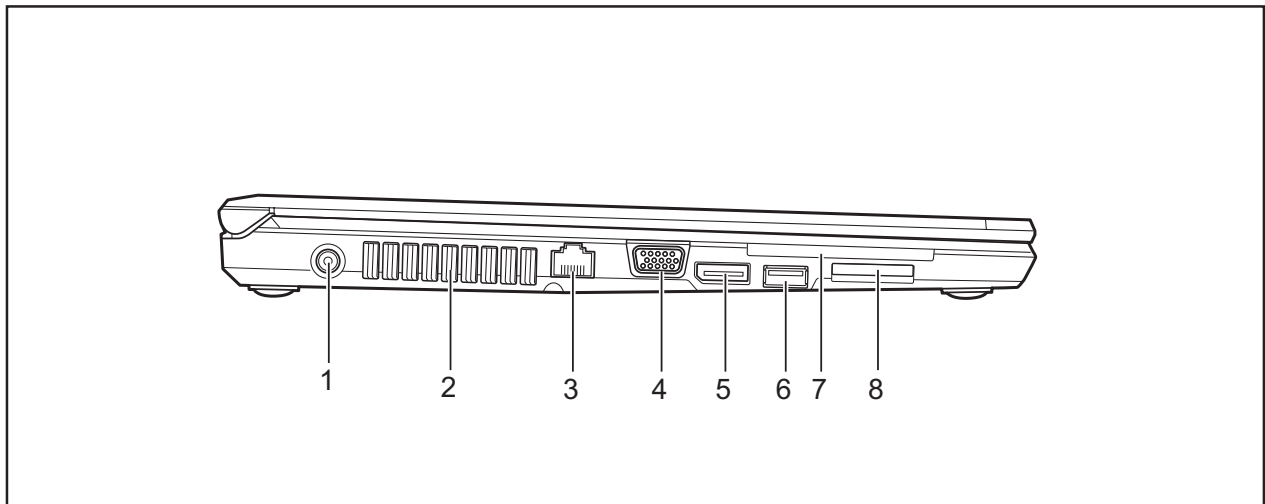
- 1 = Microphone (optional)
- 2 = WebCam (optional)
- 3 = WebCam LED (optional)
- 4 = Touchpad
- 5 = Speakers

- 6 = Status indicators
- 7 = Wireless/Bluetooth and ECO on/off buttons
- 8 = Power ON/OFF button
- 9 = Fingerprint sensor (optional)
- 10 = Touchpad buttons

**LIFEBOOK E754:**

- 1 = Microphone (optional)
- 2 = WebCam (optional)
- 3 = WebCam LED (optional)
- 4 = Touchpad
- 5 = Speakers

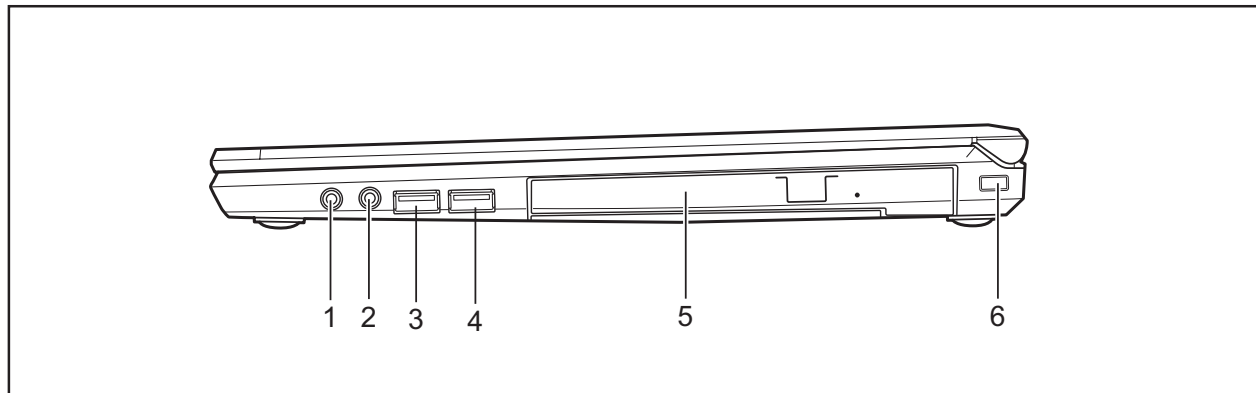
- 6 = Status indicators
- 7 = Wireless/Bluetooth and ECO on/off buttons
- 8 = Power ON/OFF button
- 9 = Fingerprint sensor (optional)
- 10 = Touchpad buttons

**Left side**

- 1 = DC input connector (DC IN)
- 2 = Ventilation slots
- 3 = LAN port
- 4 = External Monitor port (VGA)

- 5 = DisplayPort
- 6 = USB port 3.0
- 7 = SmartCard reader (optional)
- 8 = SD Card slot

### Right side



1 = Headphone port

2 = Microphone port

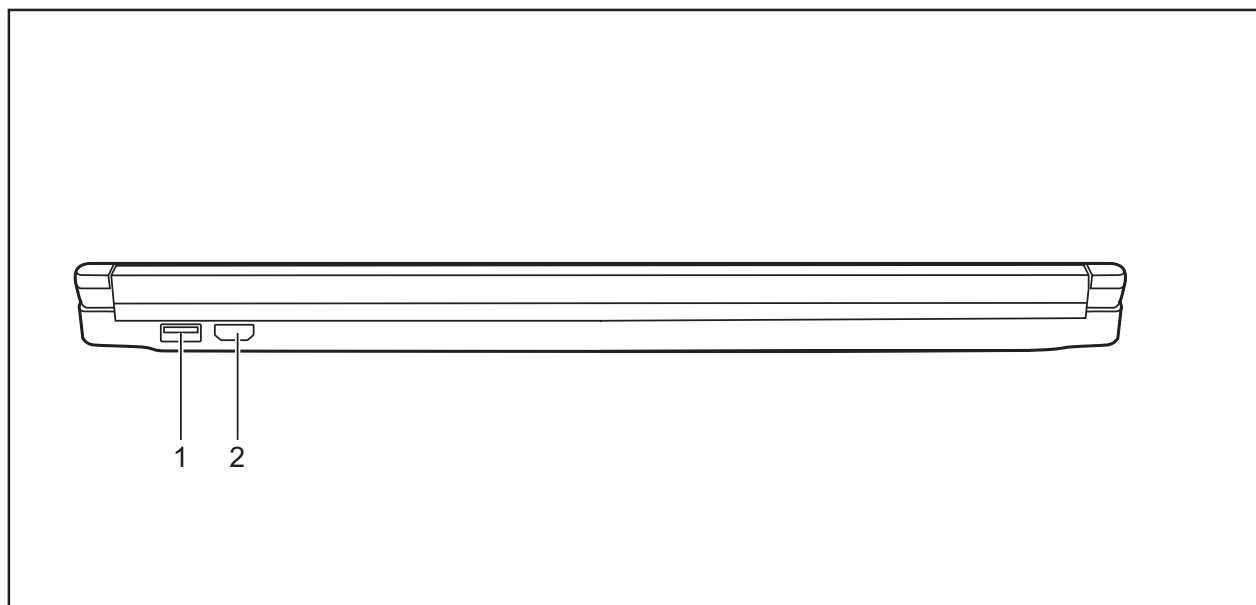
3 = USB port 3.0

4 = USB 3.0 port with charging function  
(Anytime USB charge)

5 = Modular bay with optical drive or second  
battery, second HDD or Weight Saver  
(depending on configuration)

6 = Security Lock device

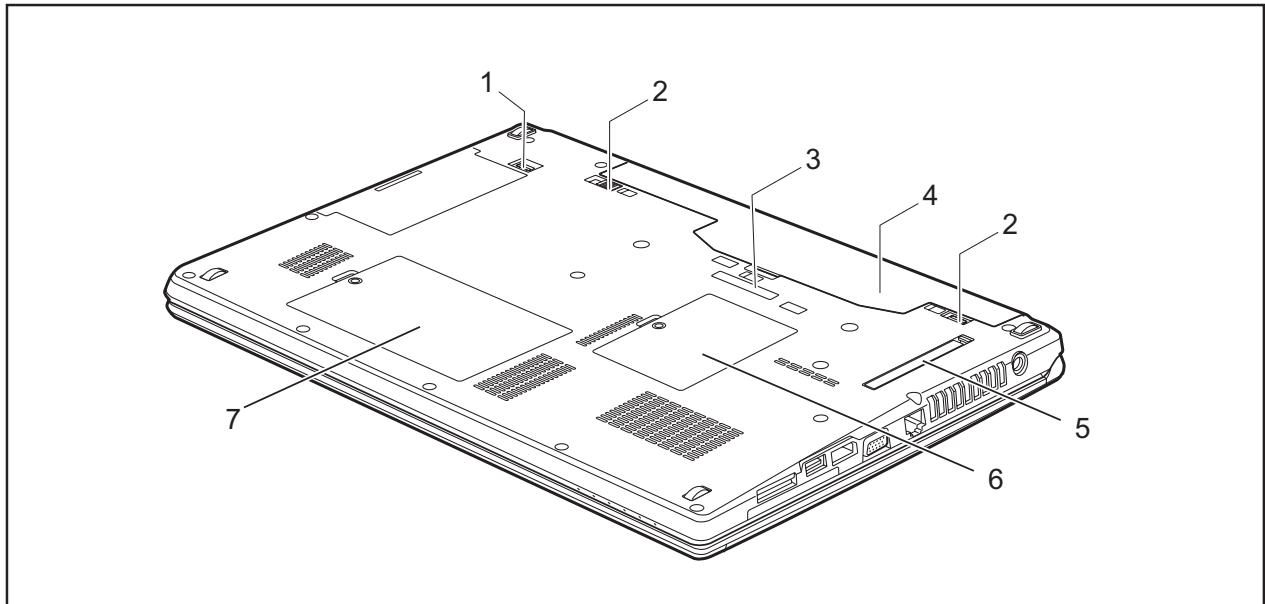
### Rear



1 = USB port 2.0 (LIFEBOOK E744/E754 only)

2 = HDMI port (LIFEBOOK E754 only)

## Bottom



- 1 = Modular bay release
- 2 = Battery Lock slider switch
- 3 = Port replicator port
- 4 = Rechargeable battery

- 5 = Removable dust filter
- 6 = Memory service compartment
- 7 = Hard disk service compartment

# Important notes



This chapter contains essential safety information which must be followed when working with your notebook. Other notes also provide useful information which will help you with your notebook.

## Safety notes



Please follow the safety notes given below.

Please pay special attention to the sections in the manual marked with the symbol on the left.

When connecting and disconnecting cables, observe the relevant notes in this operating manual.

Read the information on the ambient conditions in the ["Technical data", Page 82](#) and ["First-time setup of your device", Page 18](#) before preparing your notebook for use and switching it on for the first time.

When cleaning the device, please observe the relevant notes in the section ["Cleaning the notebook", Page 17](#).

Pay attention to the additional safety notes for devices with radio components provided in the "Safety/Regulations" manual.

Please refer to the notes in the chapter ["Removing and installing components during servicing", Page 65](#).

Handling the cord on this product will expose you to lead, a chemical known to the state of California to cause birth defects or other reproductive harm.

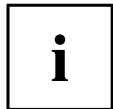
Wash hands after handling.

This notebook complies with the relevant safety regulations for data processing equipment. If you have questions about using your notebook in a particular area, please contact your sales outlet or our Hotline/Service Desk.

## Additional safety notes for devices with radio components

If a radio component (Wireless LAN, Bluetooth, UMTS) is integrated in your notebook, you must be sure to observe the following safety notes when using your notebook:

- Switch off the radio components when you are in an aircraft or driving in a car.
- Switch off the radio components when you are in a hospital, an operating room or near a medical electronics system. The transmitted radio waves can impair the operation of medical devices.
- Switch off the radio components when you let the device get near flammable gases or into hazardous environments (e.g. petrol station, paintshops), as the transmitted radio waves can cause an explosion or a fire.



For information on how to switch radio components on and off, see chapter ["Switching the wireless components on and off", Page 45](#).

## Energy saving

Switch the notebook off when it is not in use. Switch off external, connected devices if you are not using them. If you use the energy saving functions, the notebook uses less energy. You will then be able to work for longer before having to recharge the battery.



Energy efficiency is increased and the environmental impact is reduced. You save money while protecting the environment.

## Energy saving under Windows

- ▶ Make use of the power management features (see ["Using the power-management features", Page 40](#)).

## Travelling with your notebook

Please observe the points listed below when travelling with your notebook.

### Before you travel

- ▶ Switch off the radio component for data security reasons. With data traffic via a wireless connection, it is also possible for unauthorized third parties to receive data.



Information on activating data encryption is provided in the documentation for your radio component.

- ▶ Be sure that you only operate the notebook on aircraft when attendant has announced that it is safe to do so.

### When travelling in other countries

- ▶ If you are travelling abroad, check that the AC adapter can be operated with the local AC voltage. If this is not the case, obtain the appropriate AC adapter for your notebook. Do not use any other voltage converter!
- ▶ Check whether the local AC voltage and the power cable are compatible. If this is not the case, buy a power cable that matches the local conditions.
- ▶ Enquire with the corresponding government office of the country you will be travelling in as to whether you may operate the radio component integrated in your notebook there).
- ▶ Take the necessary plug adapters if you're traveling overseas. Check the following diagram to determine which plug adapter you'll need or ask your travel agent.

Outlet Type	Location
	United States, Canada, Mexico, parts of Latin America, Japan, Korea, the Philippines, Taiwan
	
	Russia and the Commonwealth of Independent States (CIS), most of Europe, parts of Latin America, the Middle East, parts of Africa, Hong Kong, India, most of South Asia
	United Kingdom, Ireland, Malaysia, Singapore, parts of Africa
	China, Australia, New Zealand

## Notebook: transporting



Protect the notebook from severe shocks and extreme temperatures (e.g. direct sunlight in a car).

- ▶ If your device has an optical drive, remove all data media (e.g. CD, DVD) from the drives.
- ▶ Switch the notebook off.
- ▶ Unplug the AC adapter and all external devices from the power outlet.
- ▶ Disconnect the AC adapter cable and the data cables for all external devices.
- ▶ Close the LCD screen.
- ▶ To protect against damaging jolts and bumps, use a notebook carrying case to transport your notebook.

## Cleaning the notebook



Do not clean any interior parts yourself; leave this job to a service technician.

Only use cleaning products designed for computers. Normal household cleaners and polishes can damage the markings on the keyboard and the device, the paintwork or the notebook itself.

Ensure that no liquid enters the notebook.

The LCD screen very sensitive to scratches. Only clean the display surface with a very soft, slightly damp cloth.

- ▶ Switch the notebook off.
- ▶ In order to prevent accidentally switching the device on, remove the power cable from the AC adaptor and remove the battery (see ["Removing and installing the battery", Page 33](#)).
- ↳ The surface can be cleaned with a dry cloth. If particularly dirty, use a cloth which has been moistened in mild domestic detergent and then carefully wrung out.  
To clean the keyboard and the touchpad, if available, you can use disinfectant wipes.  
Ensure that no liquid enters the device.

# First-time setup of your device



Please read the chapter ["Important notes", Page 14](#).

If your device is equipped with a Windows operating system, the necessary hardware drivers and supplied software are already pre-installed.

Before you switch on the device for the first time, connect it to the AC voltage using the AC adapter, see ["AC adapter connecting", Page 19](#). The AC adapter must be connected during the entire installation process.

A system test is performed when your device is first switched on. Various messages can appear. The display may remain dark for a short time or may flicker.

Please follow the instructions on the screen.

NEVER switch off your device during the first-time setup process.

On delivery, the battery can be found in the battery compartment or in the accessories kit. The battery must be charged if you want to operate your device using the battery.

When used on the move, the built-in battery provides the device with the necessary power. You can increase the operating time by using the available energy-saving functions.

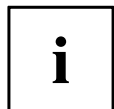
For instructions on how to connect external devices (e.g. mouse, printer) to your device, please refer to the operating manual for your device.

## Unpacking and checking the device



Should you discover any damage that occurred during transportation, notify your local sales outlet immediately!

- ▶ Unpack all the individual parts.
- ▶ Check your device for any visible damage which may have occurred during transportation.



You may need the packaging in the future, if you need to transport your device.

## Selecting a location



Select a suitable location for the device before setting it up. Follow the instructions below when doing so:

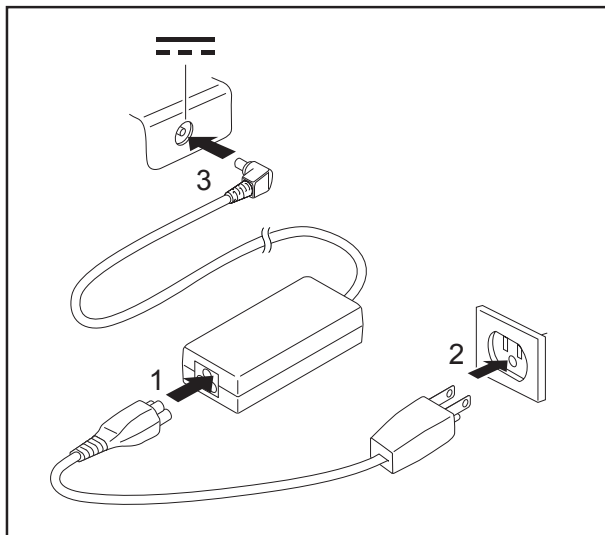
- Never place the device or the AC adapter on a heat-sensitive surface. The surface could be damaged as a result.
- Never place the device on a soft surface (e.g. carpeting, upholstered furniture, bed). This can block the air vents and cause overheating and damage.
- The underside of the device heats up during normal operation. Prolonged contact with the skin may become unpleasant or even result in burns.
- Place the device on a stable, flat, non-slippery surface. Please note that the rubber feet of the device may mark certain types of delicate surfaces.
- Keep other objects at least 100 mm away from the device and its AC adapter to ensure adequate ventilation.
- Never cover the ventilation slots of the device.
- Do not expose the device to extreme environmental conditions. Protect the device from dust, humidity, and heat.

## AC adapter connecting



Observe the safety notes in the enclosed "Safety/Regulations" manual.

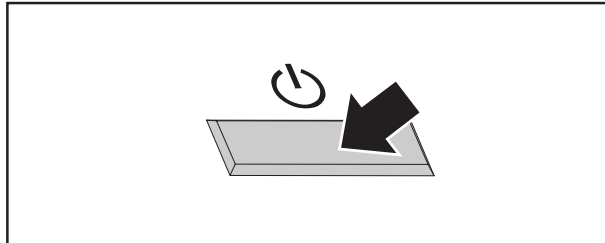
The supplied power cable conforms to the requirements of the country in which you purchased your device. Make sure that the power cable is approved for use in the country in which you intend to use it.



- ▶ Connect the power cable (1) to the AC adapter.
- ▶ Plug the AC cable (2) into a power outlet.
- ▶ Connect the AC adapter cable (3) to the DC jack (DC IN) of the device.

## Switching on the device for the first time

To make it easier to use your device for the first time, the operating system is pre-installed on the hard disk.



- ▶ Switch on your device.

- ▶ During installation, follow the instructions on screen.



You can find information and help on the Windows operating system functions on the Internet at ["http://windows.microsoft.com"](http://windows.microsoft.com).

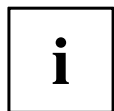
## Installing Bonus Apps

After you have started your system the first time, you will see a Bonus Apps icon on your desktop.

- ▶ Click on the icon to see which additional applications are available for you to install.
- ↳ Applications that are already installed appear in grey, those that are available for installation appear in blue.
- ▶ Select the applications you wish to install by selecting the checkbox adjacent to your selection.

or

- ▶ Click *Select All* if you would like to install all available applications
- ▶ To confirm your selection click *Install*.



Note that in some cases (depending upon which application was selected for installation) after installation completes, the system will prompt you to reboot.

There are also cases in which if multiple applications are selected to install but one of them needs a reboot, the system will reboot and continue installing the rest of the selected applications.

# Working with the notebook

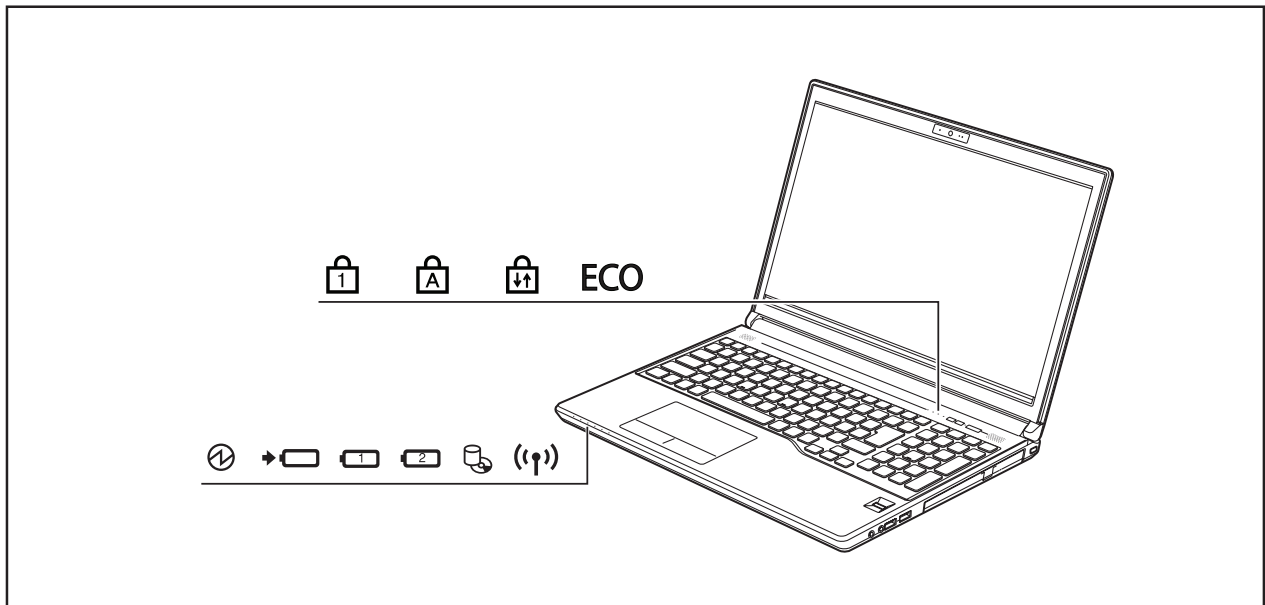
This chapter describes the basics for operating your notebook. Please read the chapter entitled ["Connecting external devices", Page 59](#) for instructions on how to connect devices such as a mouse and a printer to the notebook.










Please refer to the notes in ["Important notes", Page 14](#).

## Status indicators

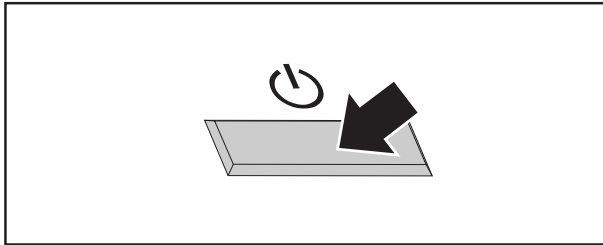
The status indicators provide information about the status of the power supply, the drives and the keyboard functions.



Key	Description
	<b>Power-on indicator/Standby</b> <ul style="list-style-type: none"> <li>Indicator is illuminated: The notebook is switched on.</li> <li>Indicator flashes: The notebook is in standby mode.</li> <li>Indicator is off: The notebook is switched off.</li> </ul>
	<b>Battery indicator</b> <ul style="list-style-type: none"> <li>Indicator is illuminated (green): The battery is charged to between 50% and 100% of its maximum capacity.</li> <li>The indicator lights up orange: The battery is charged to between 13% and 49% of its maximum capacity.</li> <li>The indicator lights up red: The battery is charged to between 0% and 12% of its maximum capacity.</li> <li>Indicator flashes red: An error has occurred.</li> </ul>

Key	Description
	<p><b>Battery charging indicator (Battery 1/Battery 2)/Power supply</b> The state of charge of the battery is shown by the battery indicator.</p> <ul style="list-style-type: none"> <li>Indicator is illuminated (green): The battery is charged or no battery has been inserted.</li> <li>The indicator lights up orange: the AC adapter is connected and the battery is being charged.</li> <li>Indicator flashes orange: the AC adapter is connected but the battery cannot be charged as the battery is too hot or cold for charging. The charging process is continued as soon as the battery reaches a permissible temperature again.</li> <li>Indicator flashes red: An error has occurred.</li> <li>The indicator is not illuminated: the AC adapter is not connected.</li> </ul>
	<p><b>Drive indicator</b> Indicator is illuminated: One of the drives (e.g. hard disk, CD/DVD) is being accessed.</p>
	<p><b>Radio components indicator</b></p> <ul style="list-style-type: none"> <li>Indicator is illuminated: The wireless components are switched on.</li> <li>Indicator is off: The wireless components are switched off.</li> </ul>
	<p><b>Num Lock indicator</b> Indicator is illuminated: The <b>Num</b> key has been pressed. The virtual numerical keypad is activated. You can output the characters indicated on the upper right of the keys.</p>
	<p><b>Caps Lock indicator</b> Indicator is illuminated: The Caps Lock key has been pressed. All the characters you type will appear in upper case. In the case of overlay keys, the character printed on the upper left of the key will appear when that key is pressed.</p>
	<p><b>Scroll Lock indicator</b> Indicator is illuminated: the key combination <b>Fn</b> + <b>Scr</b> has been pressed. The effect that this key has varies between applications.</p>
	<p><b>Energy saving functions indicator</b></p> <ul style="list-style-type: none"> <li>Indicator is illuminated: None of the energy saving functions have been activated.</li> <li>The indicator is not illuminated: The energy saving functions have been deactivated.</li> </ul>

## Switching on the notebook



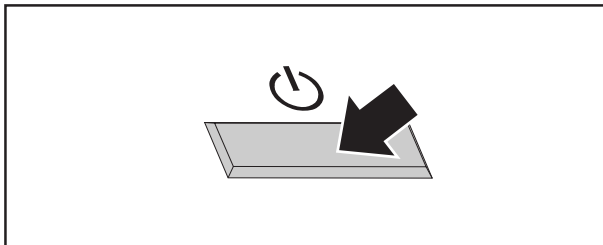
↳ The power-on indicator is lit.

- ▶ Open the LCD screen.
- ▶ Press the Power ON/OFF button for about one second to switch the notebook on.

## Notebook: switching off

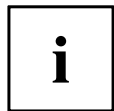


Back up your data and close all applications before you switch off your device. Otherwise data might be lost.



- ▶ Shut down the operating system correctly.
- ▶ If the notebook is not switched off automatically, press the Power ON/OFF button for approx. five seconds.
- ▶ Close the LCD screen.

## Keyboard

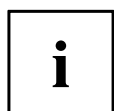


The keyboard of your notebook is subject to continuous wear through normal use. The key markings are especially prone to wear. The key markings are liable to wear away over the life of the notebook.

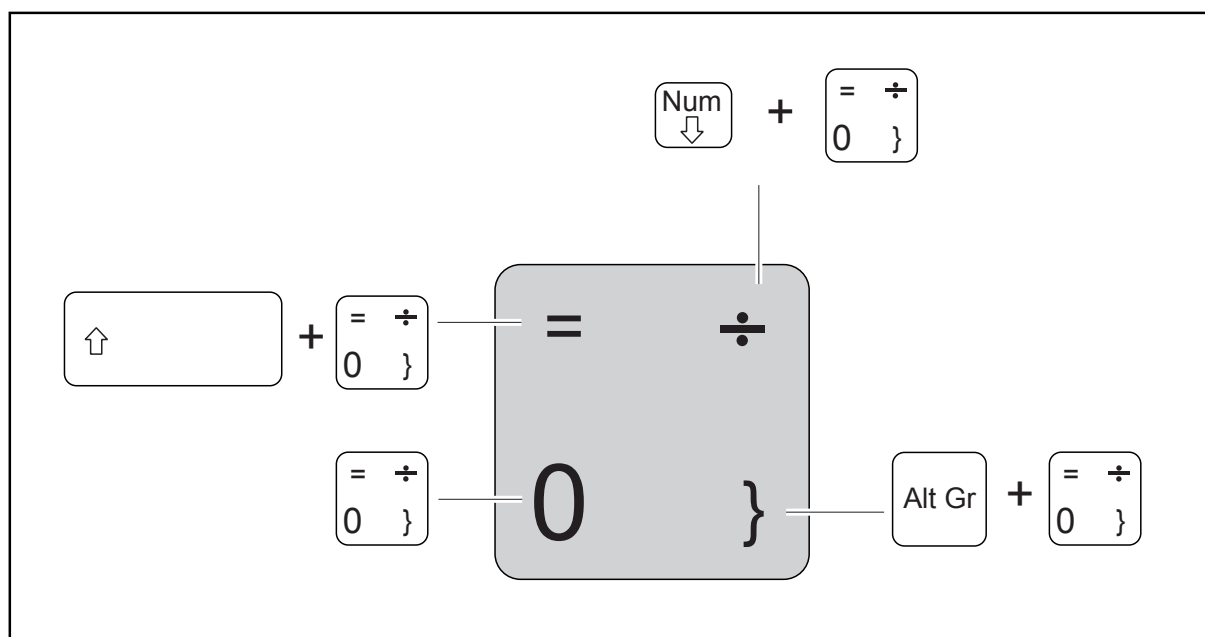
The keyboard has been designed to provide all the functions of an enhanced keyboard. Some enhanced keyboard functions are mapped with key combinations.


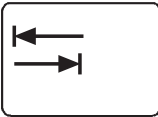

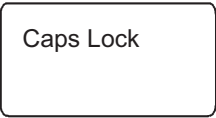


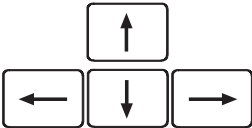


The following description of keys refers to Windows. Additional functions supported by the keys are described in the relevant manuals supplied with your application programs.

The figure below shows how to access the different characters on keys with overlaid functions. The example applies when the Caps Lock key has not been activated.



The illustrations shown below may differ from your actual device.



Key	Description
	<p><b>Backspace key</b> The Backspace key deletes the character to the left of the cursor.</p>
	<p><b>Tab key</b> The Tab key moves the cursor to the next tab stop.</p>
	<p><b>Enter key (return)</b> The Enter key terminates a command line. The command you have entered is executed when you press this key.</p>
	<p><b>Caps Lock key</b> The Caps Lock key activates the Caps Lock mode, and the corresponding icon is displayed in the Windows information area. In Caps Lock mode, all of the characters you type appear in upper case. In the case of overlay keys, the character printed on the upper left of the key will appear when that key is pressed. To cancel the Caps Lock function, simply press the Caps Lock key again.</p>
	<p><b>Shift key</b> The Shift key causes uppercase characters to appear. In the case of overlay keys, the character printed on the upper left of the key appears when that key is pressed.</p>
	<p><b>Fn button</b> The <b>[Fn]</b> key enables the special functions indicated on overlay keys (see <a href="#">"Key combinations", Page 27</a>).</p>
	<p><b>Cursor keys</b> The cursor keys move the cursor in the direction of the arrow, i.e. up, down, left, or right.</p>
	<p><b>Windows key</b> The Windows key switches between the start screen and the last used application.</p>
	<p><b>Menu key</b> The Menu key opens the menu for the active application.</p>

## Virtual numeric keypad

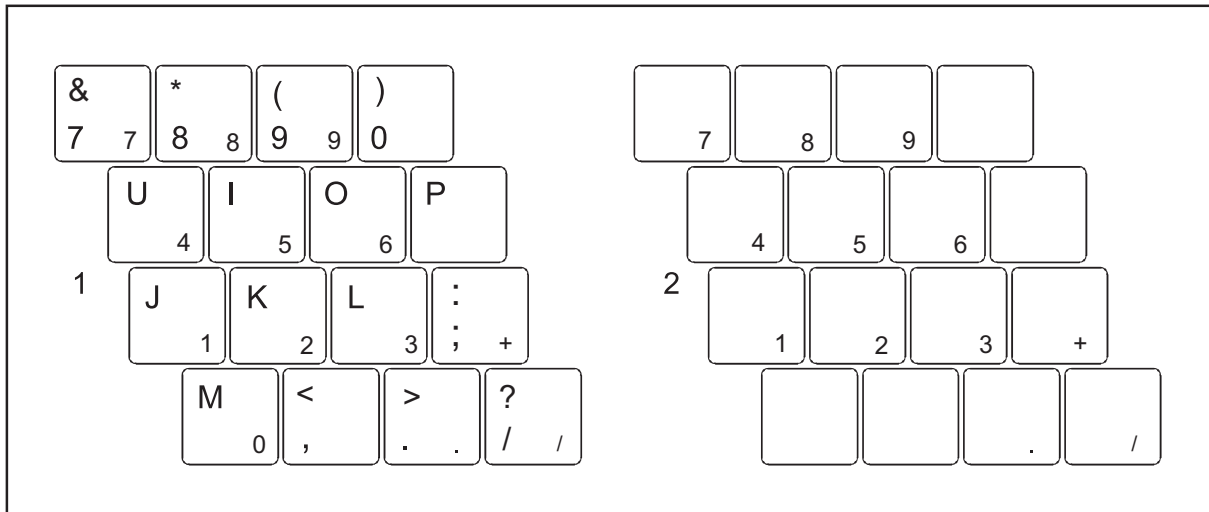


LIFEBOOK E734 and LIFEBOOK E744 have virtual number keys, LIFEBOOK E754 has a separate number keypad.

To provide the convenience of a numeric keypad, your keyboard is equipped with a virtual numeric keypad. The special keys of the virtual numeric keypad are recognisable by the numbers and symbols printed in the upper right corner of each key. If you have switched on the virtual numeric keypad, you can output the characters shown on the upper right of the keys.



The keyboard layout shown below may differ from your actual device.



1 = Valid characters when the **Num** key is not activated

2 = Valid characters when the **Num** is activated

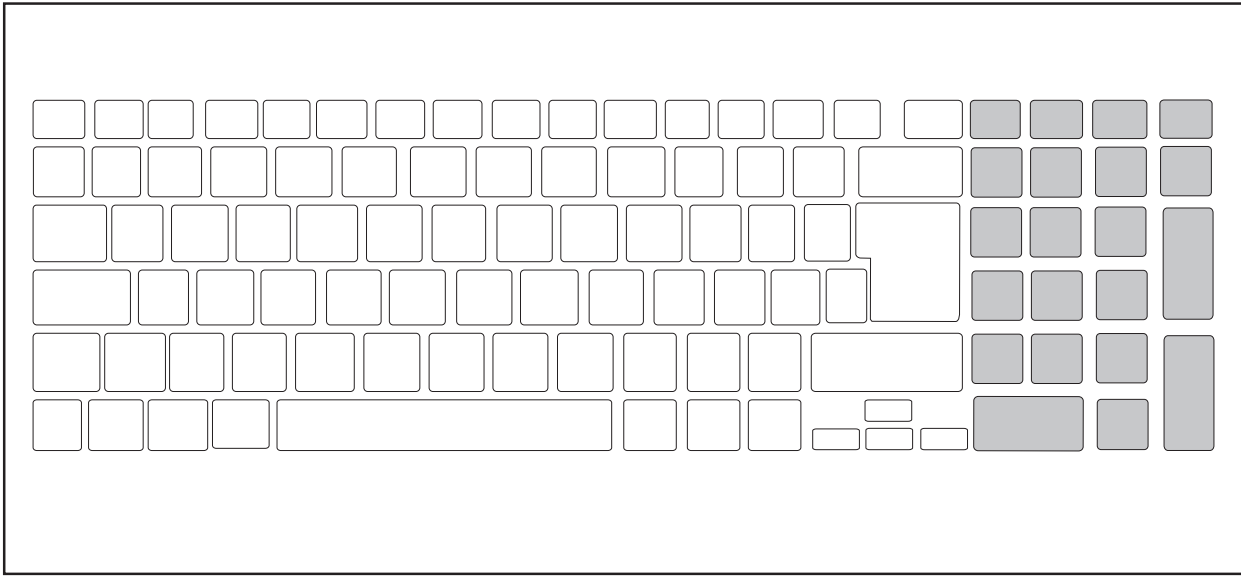
Further information about the status indicators can be found in chapter ["Status indicators", Page 21](#).

## Separate number block



LIFEBOOK E734 and LIFEBOOK E744 have virtual number blocks, LIFEBOOK E754 has a separate number block.

The keyboard of your notebook has a separate number block on the far right.







## Key combinations

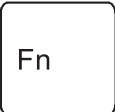






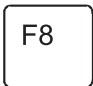
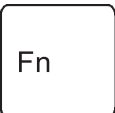
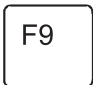
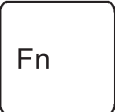


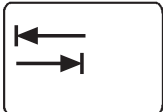


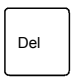

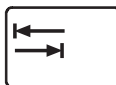
The following description of key combinations applies to Windows operating systems. Some of the following key combinations may not function in other operating systems or with certain device drivers.

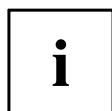
Other key combinations are described in the relevant manuals supplied with your application programs.

Key combinations are entered as follows:

- ▶ Press the first key in the combination and keep it pressed.
- ▶ While holding the first key down, press the other key or keys in the combination.

Combination	Description
 + 	<b>Activate/deactivate keyboard backlight (optional)</b> On backlit keyboards, this key combination activates or deactivates the backlight.
 + 	<b>Switching the speakers on and off</b> This key combination switches your notebook's speakers off and on.

Combination	Description
 + 	<b>Switching the touchpad and touchpad buttons on/off</b> This key combination switches the touchpad and the touchpad buttons on or off.
 + 	<b>Decrease screen brightness</b> This key combination decreases the brightness of the screen.
 + 	<b>Increase screen brightness</b> This key combination increases the brightness of the screen.
 + 	<b>Decrease volume</b> This key combination reduces the volume of the internal speakers.
 + 	<b>Increase volume</b> This key combination increases the volume of the internal speakers.
 + 	<b>Toggle output screen</b> Use this key combination to select which screen(s) is/are used for display if an external monitor is connected.  Screen output is possible: <ul style="list-style-type: none"> <li>• only on the notebook's LCD screen</li> <li>• on the LCD screen of the notebook and the external monitor at the same time</li> <li>• only on the external monitor</li> </ul> This setting is useful if you would like a high resolution and a high refresh rate on an external monitor.
 + 	<b>Switch between open applications</b> Use this key combination to switch between several open applications.
 +  + 	<b>Windows security/Task-Manager</b> This key combination opens the Windows security/Task-Manager window.
 + 	<b>Back tab</b> This key combination moves the cursor back to the previous tab stop.



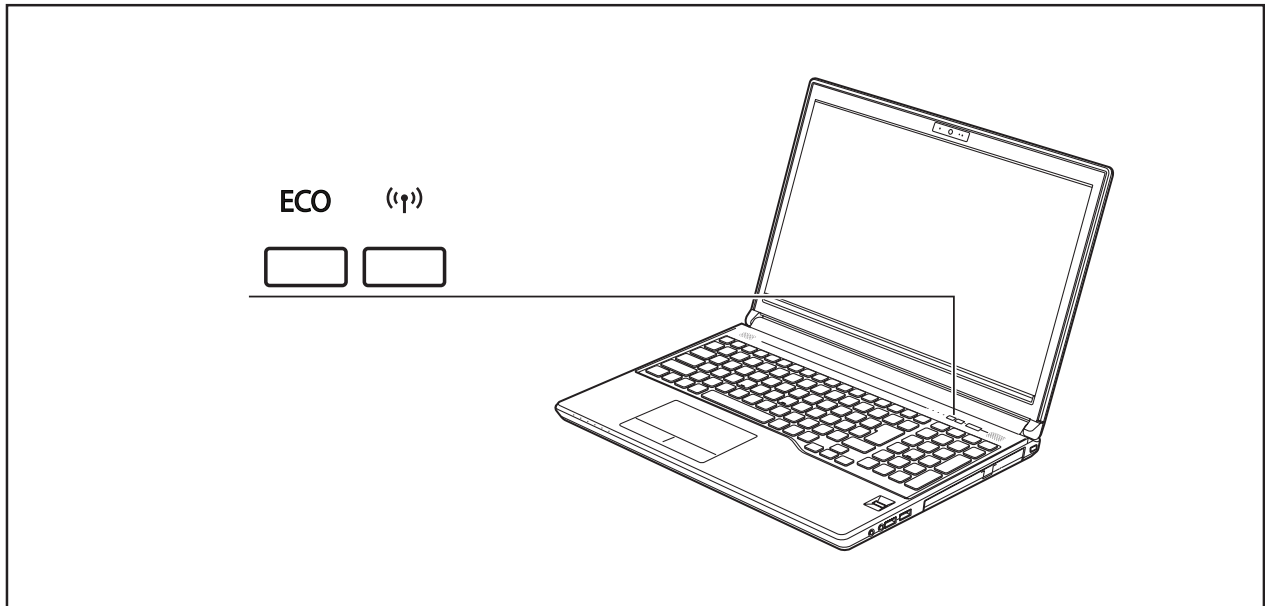
Key combinations using the Windows keys are detailed in the manual for your operating system.

## Country and keyboard settings

- Change the country and keyboard settings as described in the documentation for your operating system.

## Application keys

Your notebook is equipped with two application buttons.



Button	Description
<b>ECO</b>	<b>ECO button (E key)</b> The E key is a simple way of activating and deactivating power management functions (e.g. reduce screen brightness), see <a href="#">"Using the power-management features", Page 40.</a>
<b>(⌵)</b>	<b>Wireless Components key</b> This application key is used to run a software utility which enables/disables WLAN, Bluetooth and WWAN devices.

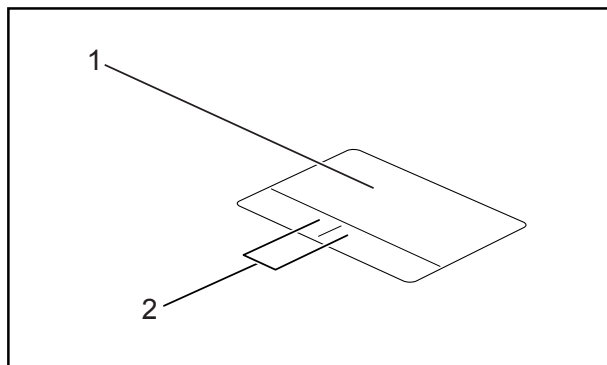
## Touchpad and touchpad buttons



Keep the touchpad clean. Protect it from dirt, liquids and grease.

Do not use the touchpad if your fingers are dirty.

Do not rest heavy objects (e.g. books) on the touchpad or the touchpad buttons.



1 = Touchpad

2 = Touchpad buttons

The touchpad enables you to move the mouse pointer on the screen.

The touchpad buttons allow you to select and execute commands. They correspond to the buttons on a conventional mouse.



You can use a key combination to disable the touchpad, to avoid accidentally moving the pointer on the screen (see also ["Key combinations", Page 27](#)).

## Moving the pointer

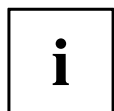
- ▶ Move your finger on the touchpad.
- ↳ The pointer will move.

## Change mouse properties

- ▶ To disable touchpad, press **Fn** + **F4** key. This shortcut works on both Windows 7 and Windows 8.1.

## Selecting an item

- ▶ Move the pointer to the item you wish to select.
- ▶ Tap the touchpad once or press the left button once.
- ↳ The item is selected.



Touchpad gestures are supported.

## Executing commands

- ▶ Move the pointer to the field you wish to select.
- ▶ Tap the touchpad twice or press the left button twice.
- ↳ The command is executed.

## Dragging items

- ▶ Select the desired item.
- ▶ Press and hold the left button and drag the item to the desired position with the finger on the touchpad.
- ↳ The item will be moved.

## LCD screen

High-quality LCD displays are installed in notebooks from Fujitsu. For technical reasons, TFT monitors are manufactured for a specific resolution. An optimal, clear picture can only be ensured with the correct resolution intended for the relevant TFT monitor. A monitor resolution which differs from the specification can result in an unclear picture.

The screen resolution of the LCD monitor of your notebook is optimally set at the factory.

Current production technology cannot guarantee an absolutely fault-free screen display. A few isolated constantly lit or unlit pixels (picture elements) may be present. The maximum permitted number of such faulty pixels is specified in the international standard ISO 9241-307 (Class II).

### Example:

A screen with a resolution of 1280 x 800 has  $1280 \times 800 = 1024000$  pixels. Each pixel consists of three subpixels (red, green and blue), so there are almost 3 million subpixels in total. According to ISO 9241-307 (class II), a maximum of 2 light and 2 dark pixels and in addition 5 light or 10 dark subpixels or an equivalent mix (1 light subpixel counts as 2 dark subpixels) are allowed to be defective.

Pixel	A pixel consists of 3 subpixels, normally red, green and blue. A pixel is the smallest element that can be generated by complete functionality of the display.
Subpixel	A subpixel is a separately addressable internal structure within a pixel that enhances the pixel function.
Cluster	A cluster contains two or more defective pixels or subpixels in a 5 x 5 pixel block.

### Background lighting

LCD monitors are operated with background lighting. The luminosity of the background lighting can decrease during the period of use of the notebook. However, you can set the brightness of your monitor individually.

### Synchronising the display on the LCD screen and an external monitor

For more information, please refer to the chapter ["Key combinations", Page 27](#) under "Display output, switch between".

## Webcam



Depending on the device variant, a WebCam may be integrated in your notebook.

Depending on the software used, you can use your Webcam to take pictures, record video clips or take part in web chats.

The WebCam has its own status indicator. The indicator lights up when the WebCam is switched on.

- The picture quality depends on the lighting conditions and the software being used.
- You can only operate the webcam with a particular application (e.g. an Internet telephony program or a video conferencing program which supports a webcam).
- When using the webcam the notebook support must not wobble.
- The webcam automatically adjusts itself to the current light level. For this reason the LCD screen may flicker while the light level is adjusted.



Further information on using the webcam and on the additional settings which are possible for your webcam can be found in the help function of the program which uses the webcam.

If you would like to perform a function test of your web cam, there is suitable test software available at "<http://www.fujitsu.com/fts/support/index.html>".

## Rechargeable battery

When not plugged into a power outlet, the notebook runs on its built-in battery. You can increase the life of the battery by caring for the battery properly. The average battery life is around 500 charge/discharge cycles.

You can extend the battery life by taking advantage of the available energy saving functions.

## Charging, caring for and maintaining the battery

The notebook battery can only be charged, when the ambient temperature is between 5°C and max. 35°C.

You can charge the battery by connecting the notebook to the AC adapter (see ["AC adapter connecting", Page 19](#)).

If the battery is running low you will hear a warning alarm. If you do not connect the AC adapter within five minutes of the warning alarm described above, your notebook will automatically switch off.

### monitoring the battery charging level

Windows also has a "Battery status meter" in the taskbar for monitoring the battery capacity. When you place the mouse pointer on the battery symbol, the system displays the battery status.

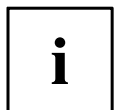
### Battery storage

Keep the battery pack between 32° F and 86° F / 0°C and +30°C. The lower the temperature at which the batteries are stored, the lower the rate of self-discharge.



If you will be storing batteries for a longer period (longer than two months), the battery charge level should be approx. 30 %. To prevent exhaustive discharge which would permanently damage the battery, check the level of charge of the battery at regular intervals.

To be able to make use of the optimal charging capacity of the batteries, the battery should be completely discharged and then fully recharged.



If you do not use the batteries for long periods, remove them from the notebook. Never store the batteries in the device.

## Removing and installing the battery



Only use rechargeable batteries approved by Fujitsu for your notebook.

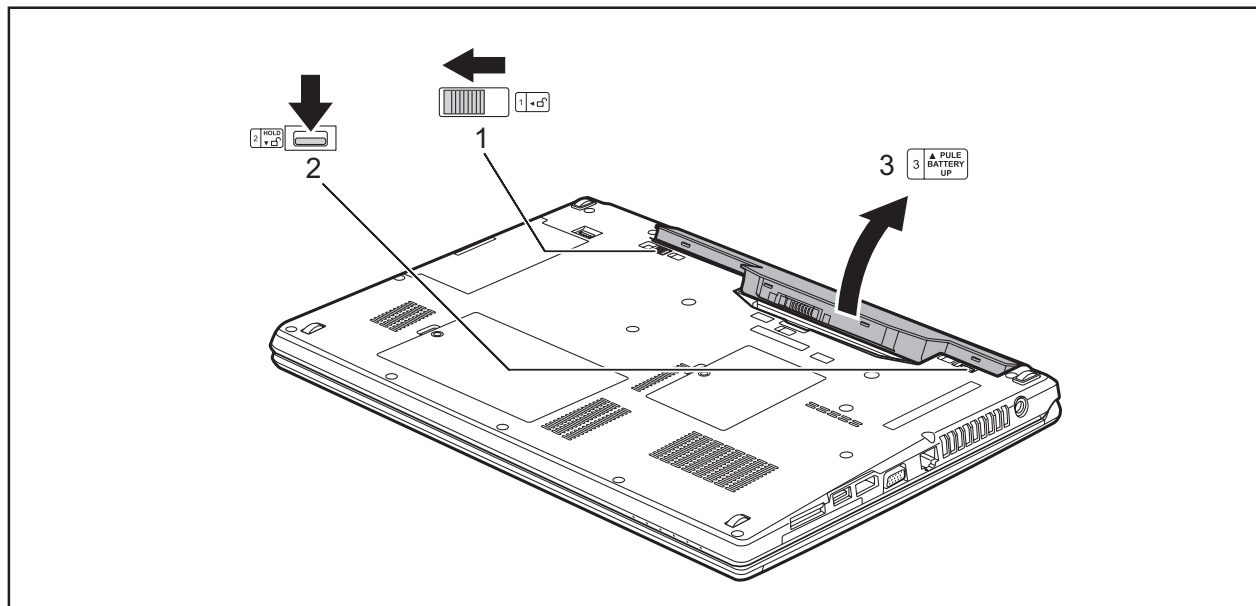
Never use force when fitting or removing a battery.

Make sure that no foreign bodies get into the battery connections.

Never store a battery for longer periods in the discharged state. This can make it impossible to recharge.

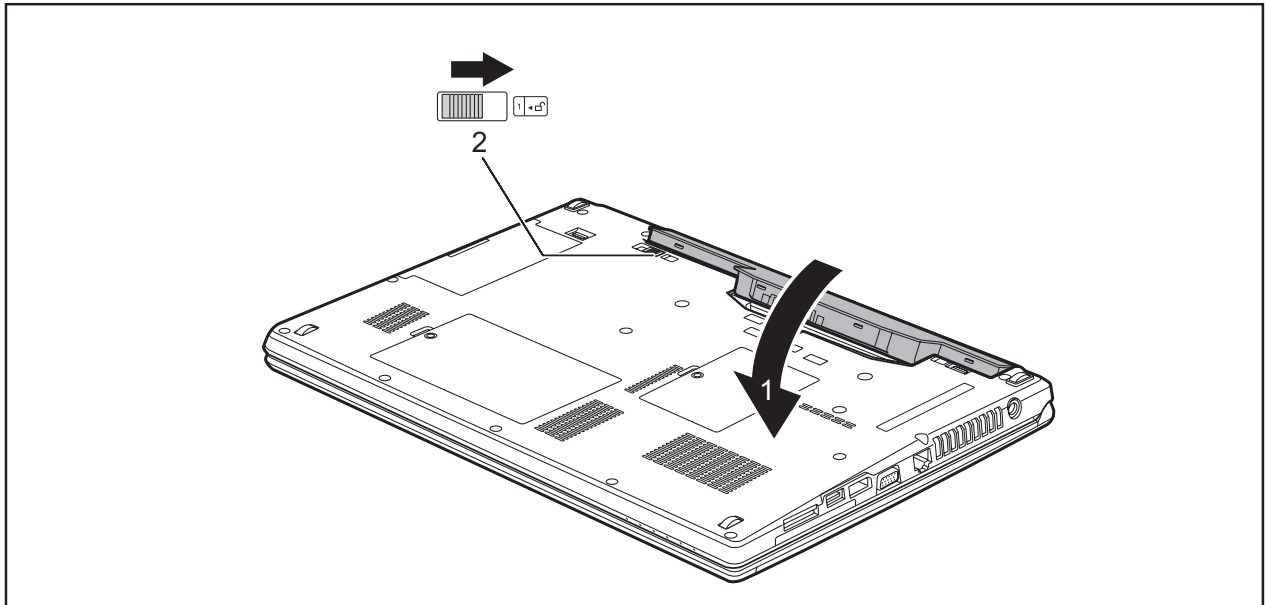
## Removing a battery

- ▶ Prepare for removal, see chapter ["Preparing to remove components", Page 66](#).



- ▶ Slide the release button in the direction of the arrow (1).
- ▶ Slide the release button in the direction of the arrow (2) and hold it in place.
- ▶ Remove the battery from the battery compartment (3).

## Installing a battery



- ▶ Position the battery at the edge.
- ▶ Insert the battery into the battery compartment until it engages positively (1).
- ▶ Slide the release button in the direction of the arrow (2).
- ▶ Complete the removal, see chapter ["Finishing component removal", Page 72.](#)

## Modular bay devices

The design of your notebook enables the flexible use of notebook batteries and drives. The following modular bay devices can be operated in the modular bay of your notebook:

- Second battery
- Second hard disk drive
- DVD RW drive
- Blu-ray BD-W drive
- Weight Saver
- LIFEBOOK Bay Projector



Only use modular bay devices designed for your notebook.

Do not use force when installing or removing the modular bay devices.

Make sure that no foreign objects enter the modular bay.

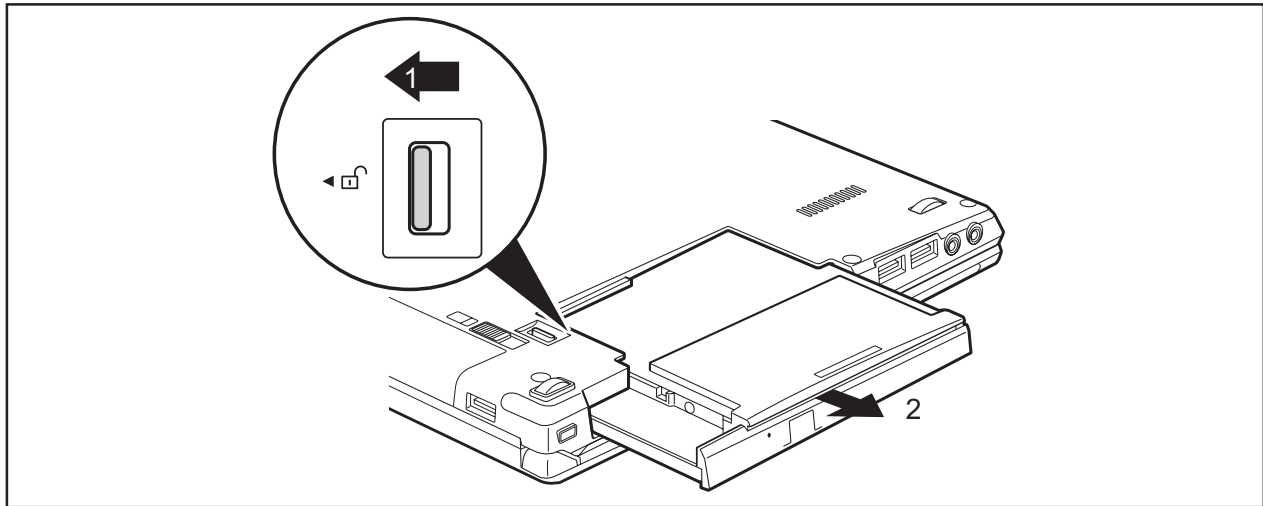


You can swap modular bay devices during operation. This means you do not need to switch off the notebook.

Log off the modular bay device via the corresponding symbol in the task bar.

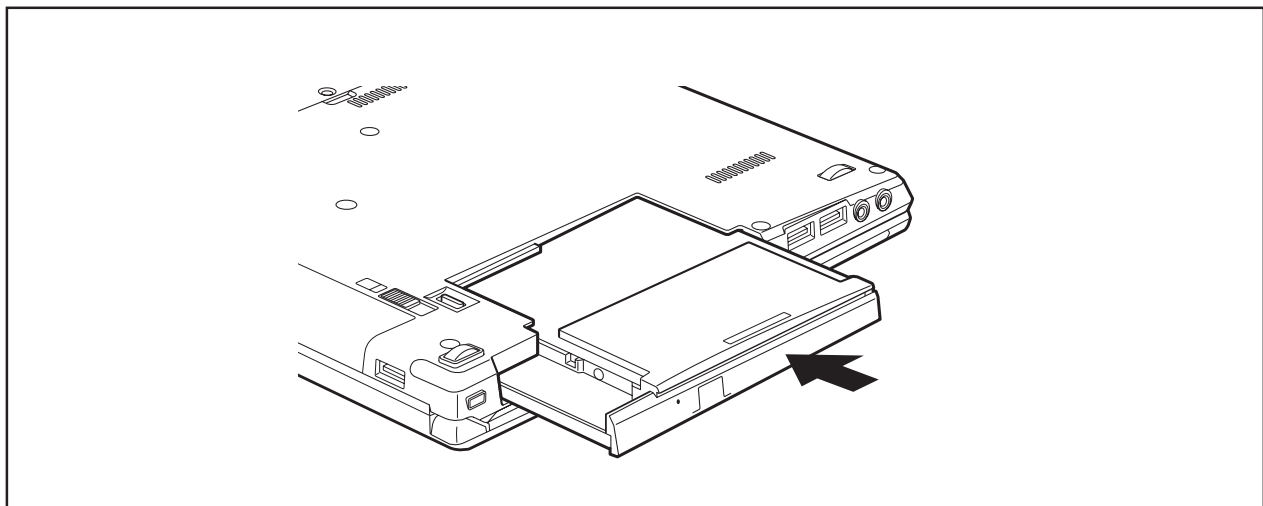
The modular bay device can now be removed without any further actions being necessary.

## Removing a modular bay device



- ▶ Slide the modular bay release (1) in the direction of the arrow and hold.
- ▶ Pull the modular bay device (2) out of the modular bay.

## Installing a modular bay devices



- ▶ Place the modular bay device into the modular bay so that the contacts enter first.
- ▶ Push the modular bay device into the modular bay until you feel it locking into place.

## Optical drive



This product contains a light emitting diode, classification according to IEC 60825 1:2007: LASER CLASS 1, and must therefore not be opened.

## Handling optical disks

Observe the following guidelines when handling optical disks:

- Avoid touching the surface of a data carrier. Only handle data carriers by their edges.
- Always store data carriers in their cases. This will protect the data carrier against being covered in dust, scratched or damaged in any other way.
- Protect your data carriers against dust, mechanical vibrations and direct sunlight.
- Avoid storing a data carrier in areas subject to high temperatures or humidity.

You may use both 3-in. / 8-cm and 4.7-in. / 12-cm disks in the optical drive.

When using an optical disk of lesser quality, vibrations and reading errors may occur.

## CD/DVD indicator

The CD/DVD indicator flashes when an optical disk is inserted. The indicator goes out when the drive is ready for reading. The indicator lights up when the drive is being accessed. You may only remove the optical disk when the indicator is unlit.

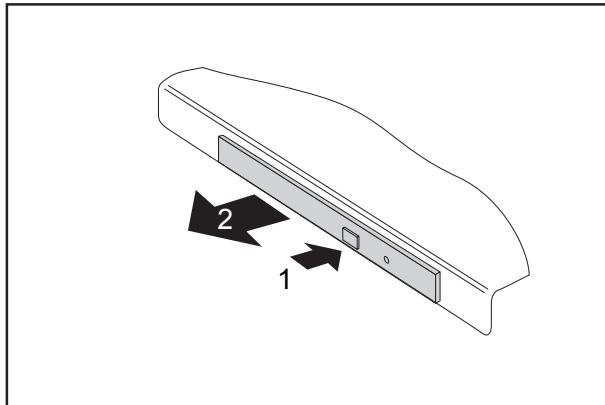


If the CD/DVD indicator does not go out after a data carrier has been inserted, but instead continues to flash, this means that the drive cannot access the data carrier.

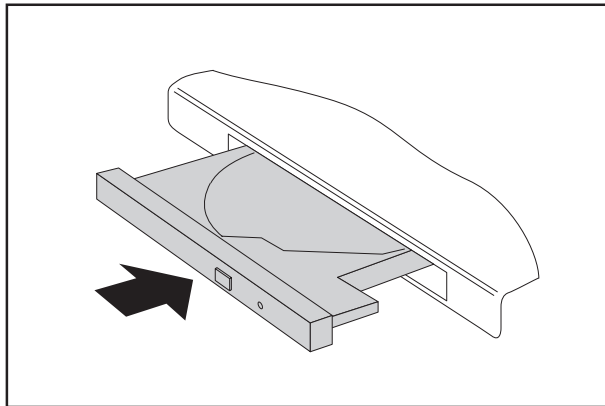
Either the data carrier is damaged or dirty or you are using a data carrier that the drive cannot read.

## Inserting or removing an optical disk

The notebook must be switched on.



- ▶ Push the insert/eject button (1).
- ↳ The drive tray will open.
- ▶ Gently pull the drive tray (2) completely out.



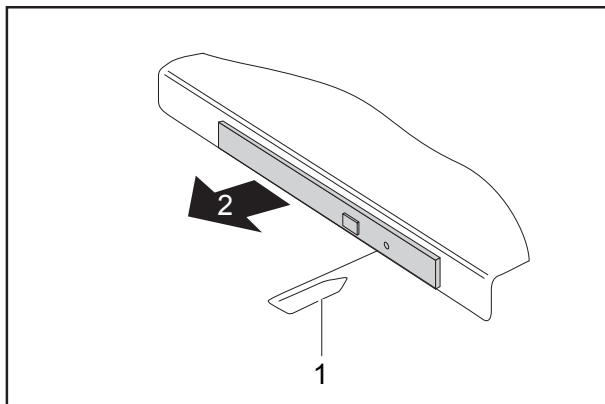
- ▶ Place the optical disk in the drive tray with the printed side facing upwards.

or

- ▶ Remove an optical disk that has been inserted.
- ▶ Push in the drive tray until you feel it lock into place.

## Manual removal (emergency removal)

In the event of a power failure or damage to the drive, you can remove the optical disk manually.



- ▶ Switch your notebook off.
- ▶ Push a pen or a piece of wire (such as a paperclip) firmly into the opening (1).
- ↳ The drive tray is ejected. You can now pull the drive tray (2) out of the drive.

## Removing and installing the removeable dust filter



In order to ensure optimum cooling of the components in your notebook, you should periodically clean the dust filter of the heatsink.

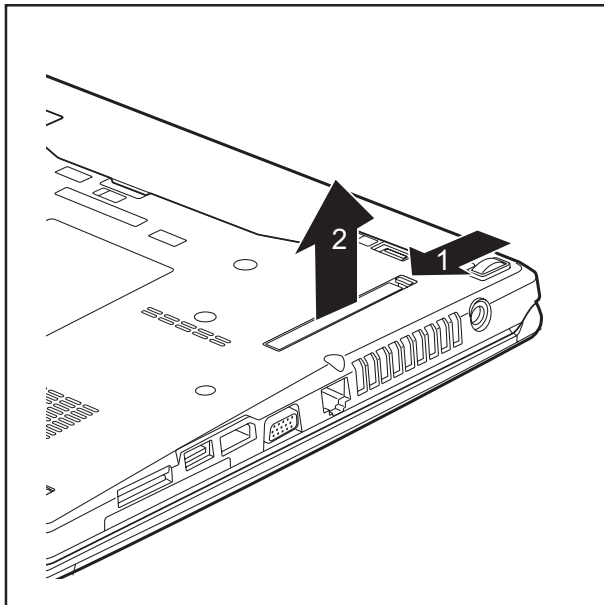
This ensures optimum fan performance. You can achieve the best cleaning results with a small hand-held vacuum cleaner.

If necessary, you can also use a dry brush to release dust from the ventilation slots.

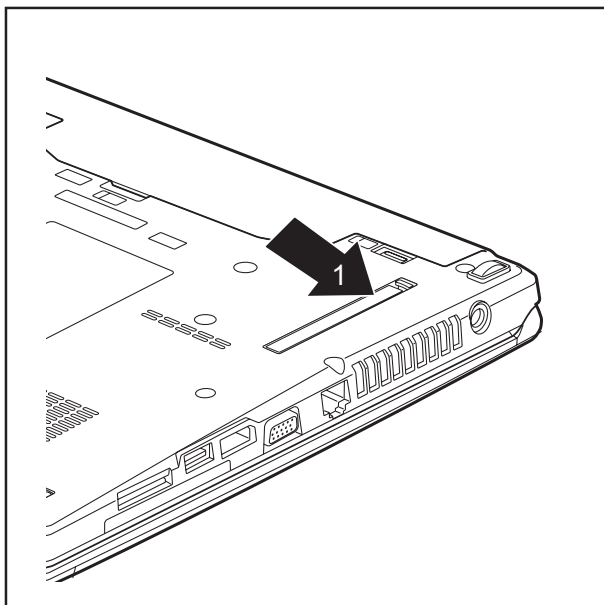
Do not use any cleaning liquids! Ensure that no liquid enters the device.

To avoid overheating of the device, do not remove the dust filter when the device is switched on.

- ▶ Prepare for removal, see chapter ["Preparing to remove components", Page 66.](#)



- ▶ Press and hold the lock of the dust filter (1) and remove it from its slot (2).
- ▶ Clean the dust chamber.



- ▶ Insert the dust filter into the slot (1) at an angle as shown, and ensure that you feel it click into place.
- ▶ Complete the removal, see chapter ["Finishing component removal", Page 72.](#)

## Using the power-management features

The notebook uses less power when the available power-management features are used. You will then be able to work longer when using the battery before having to recharge it.



Power efficiency is increased and environmental pollution reduced. By choosing the best power options, you can make significant savings and at the same time help protect the environment.

When you close the LCD screen, depending on the setting in Windows, the notebook automatically enters a power saving mode.

- ▶ Select the power management functions in your Control Panel.
- ▶ Select the Screen Saver in your Control Panel.



If you need further information about an option, you can get help with most settings by pressing **F1** to open the Microsoft Help.

### **When the notebook is in power-saving mode, the following must be remembered:**



During power saving mode, open files are held in the main memory or in a swap file on the hard disk.

Never turn off your notebook while it is in a power saving mode. If the built-in battery is nearly empty, close the open files and do not go into power saving mode.

### **If you do not intend to use your notebook for a long period of time:**

- ▶ Exit power saving mode if necessary via the mouse or keyboard or by switching on the notebook.
- ▶ Close all opened programs and completely shut down the notebook.

## SD cards

Your notebook is equipped with an integrated SD card reader.



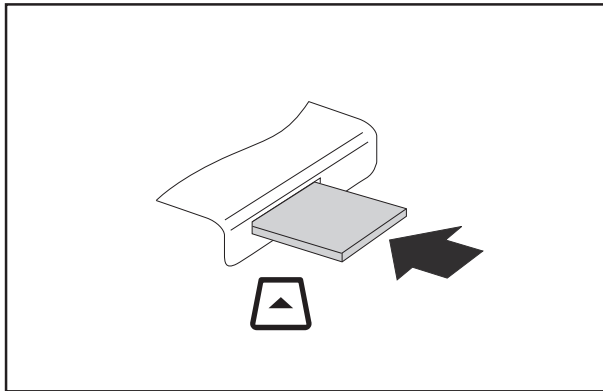
Observe the manufacturer's instructions when handling the memory cards.

## Supported formats

Your notebook supports the following format:

- Secure Digital (SD™ card)

## Inserting the SD card

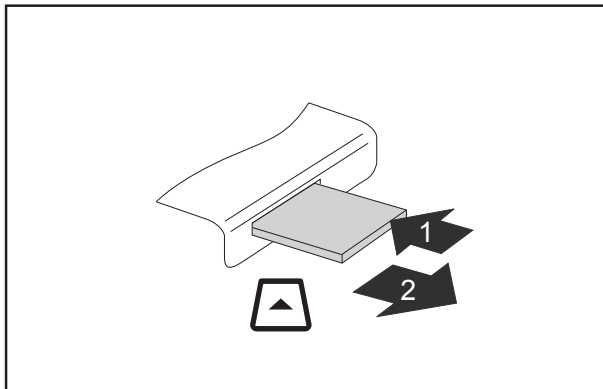


- ▶ Carefully slide the memory card into the slot. The label should be facing upward. Do not apply excessive force, as otherwise the delicate contact surfaces could be damaged.
- ↳ Depending on the particular type used, the memory card may protrude slightly from the slot.

## Removing the SD card



In order to protect your data, always follow the correct procedure for removing the card (see the documentation for your operating system).



- ▶ On devices with card locking: Press on the storage card (1).
- ↳ The storage card is released and can now be removed.
- ▶ Pull the storage card out of the slot (2).

## Speakers and microphones

Information on the exact position of the speakers and microphone can be found in ["Ports and controls", Page 9](#).

Please refer to chapter ["Key combinations", Page 27](#) for information on setting the volume and also enabling/disabling the speakers using key combinations.



If you attach an external microphone, the built-in microphone is disabled.

When you connect headphones or external speakers, the built-in speakers are disabled.

Information on connecting headphones and a microphone can be found in ["Connecting external devices", Page 59](#).

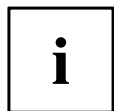
## SIM card

A SIM Card (Subscriber Identity Module) is a chip card which is inserted in a mobile telephone or notebook to enable access to a mobile radio network in conjunction with an installed UMTS module.



Follow the instructions supplied by the provider of the SIM card.

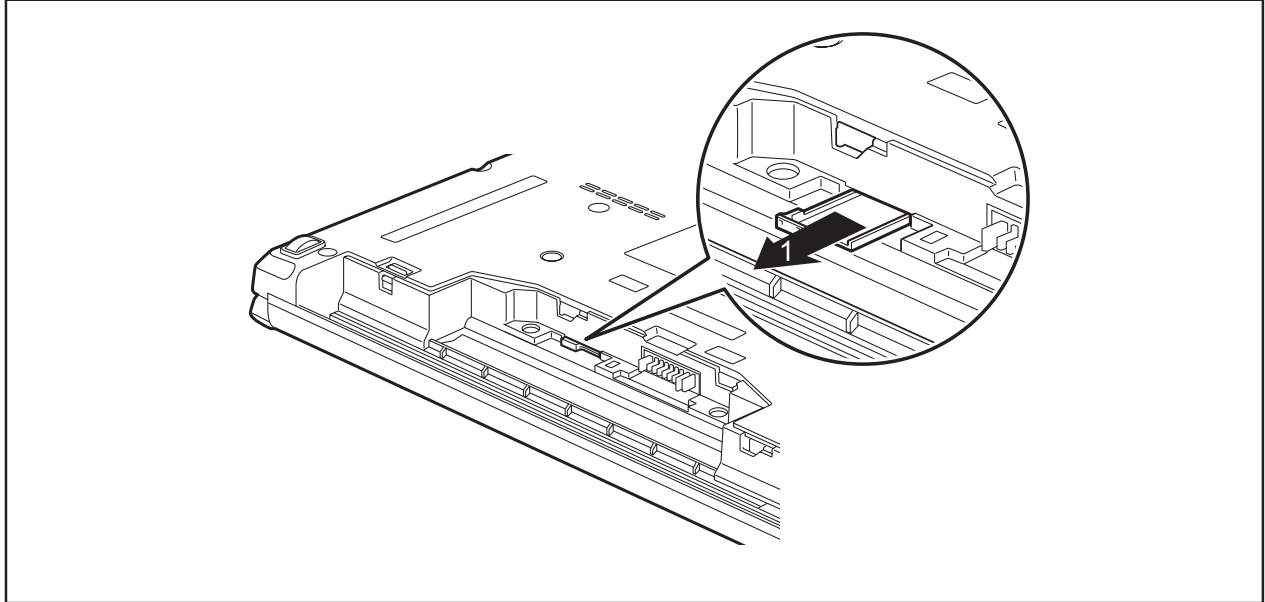
The SIM card slot is located in the battery compartment and can only be accessed when the battery is removed.



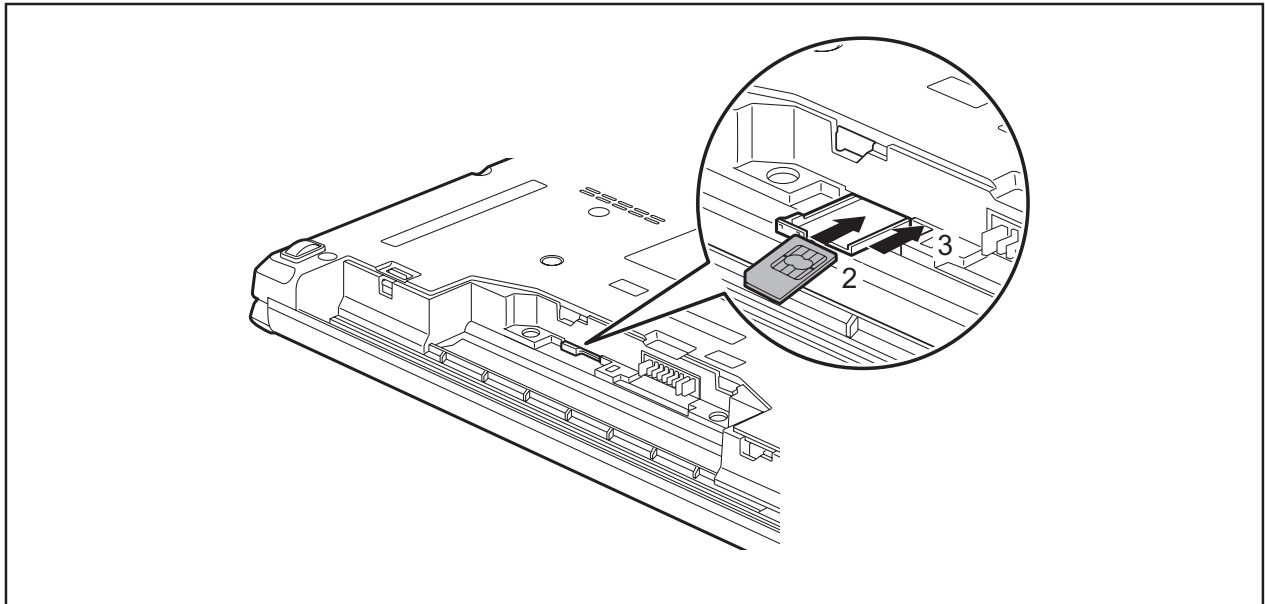
If you have purchased a Wireless WAN card, refer to the Activation Flyer which comes with the product.

## Inserting the SIM card

- ▶ Prepare for installation of the SIM card, see chapter ["Preparing to remove components", Page 66](#).
- ▶ Remove the battery, see chapter ["Removing a battery", Page 34](#).
- ▶ Insert the SIM card:



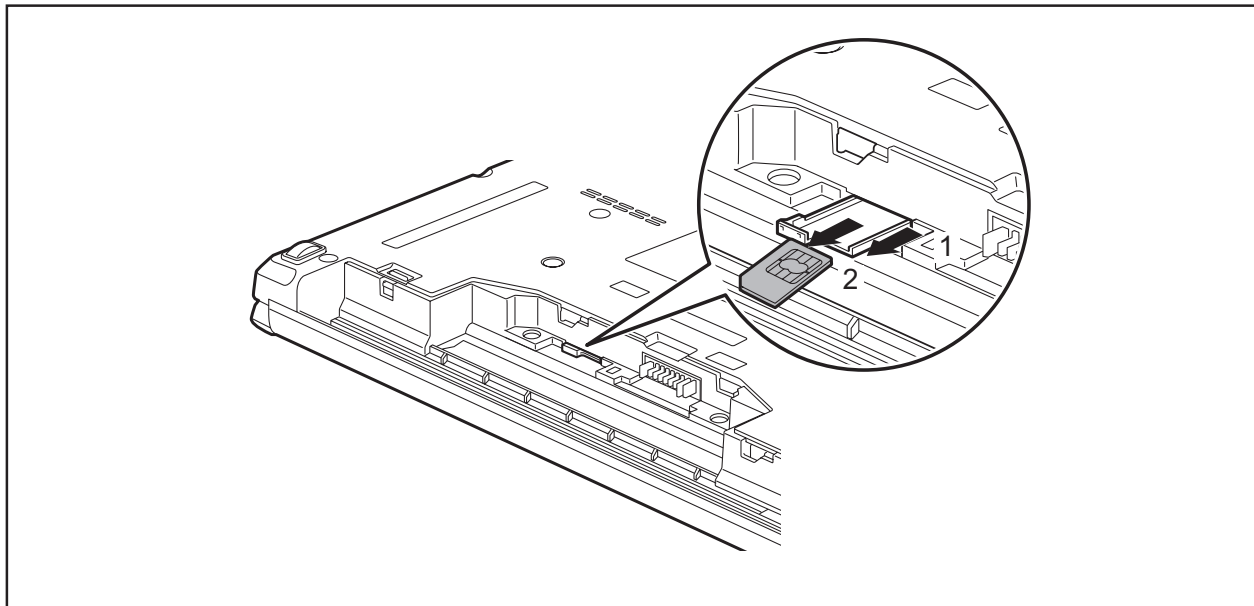
- ▶ Pull the SIM card holder out of the slot (1).



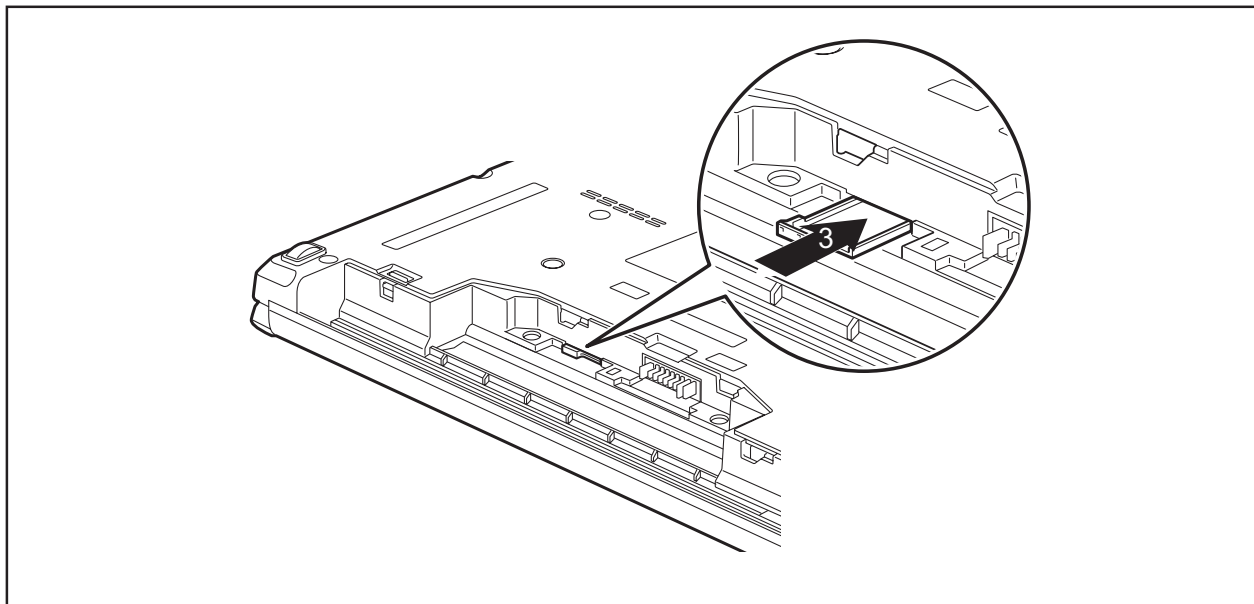
- ▶ Insert the SIM card (2) into the SIM card holder as shown in the diagram on the SIM card holder.
- ▶ Push the SIM card holder back into the slot (3).
- ▶ Install the battery again, see ["Installing a battery", Page 35](#).
- ▶ Complete the installation, see chapter ["Finishing component removal", Page 72](#).

## Removing the SIM card

- ▶ Prepare for removal of the SIM card, see chapter ["Preparing to remove components", Page 66](#).
- ▶ Remove the battery, see chapter ["Removing a battery", Page 34](#).



- ▶ Pull the SIM card holder out of the slot (1).
- ▶ Remove the SIM card from the SIM card holder (2).




- ▶ Push the SIM card holder back into the slot (3).
- ▶ Install the battery again, see ["Installing a battery", Page 35](#).
- ▶ Complete the removal, see chapter ["Finishing component removal", Page 72](#).

## Wireless LAN/Bluetooth/UMTS/LTE radio components



The installation of radio components not approved by Fujitsu will invalidate the certifications issued for this device.

### Switching the wireless components on and off

- ▶ Press the  button to start the *WirelessSelector*.
- ↳ The radio component indicator will be illuminated when one or more radio components are switched on.



If you switch off the radio components, the wireless LAN antenna and the Bluetooth and UMTS/LTE module will also be switched off.

You can enable and disable the installed radio components individually using the *WirelessSelector* program.

Details on using Wireless LAN can be found in the online help system included in the Wireless LAN software.

You can find more information on how to use Bluetooth on the CD you received with your Bluetooth software.

You can obtain more information on UMTS/LTE from your service provider.

## 4G Activation for VZW and AT&T

To activate 4G on your Verizon Wireless (VZW) or AT&T device, perform the following steps:



Follow the instructions supplied by the provider of the SIM card.

The SIM card slot is located in the battery compartment and can only be accessed when the battery is removed.

- ▶ Obtain a UCCID (SIM card): Contact your carrier and request a 2FF/MiniSIM UCCID (SIM card).



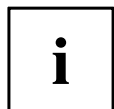
- AT&T: Call 1-800-908-9403 or contact your account representative
- Verizon Wireless: Call 1-800-256-4646 or contact your account representative

- ▶ Insert the SIM card, see chapter ["Inserting the SIM card", Page 43](#).
- ▶ Activate your wireless device:  
Before using your wireless device, you need to contact your respective carriers to activate Mobile Broadband service. You will need to have your Mobile Equipment Identifier (MEID) number or IMEI (International Mobile Equipment Identity) readily available in order to activate your account. To find your MEID or IMEI number:
  - a. Click on the AirCard Watcher icon on your desktop.
  - b. Click on the small Menu icon in the taskbar at the top of the AirCard Watcher window (it's the fourth from the right).
  - c. Select "About...", then click Device in the left pane. The MEID and IMEI numbers will be displayed in the right pane. The IMEI number can also be found on the label on the unit box.
- ▶ Contact your carrier to activate the account:  
AT&T: Call 1-800-908-9403 or contact your account representative  
Verizon Wireless: Call 1-800-256-4646 or contact your account representative

## Further information on WLAN and Bluetooth

For further information about WLAN or Bluetooth, see "Appendix: Miscellaneous Information".

## Access via Wireless WAN



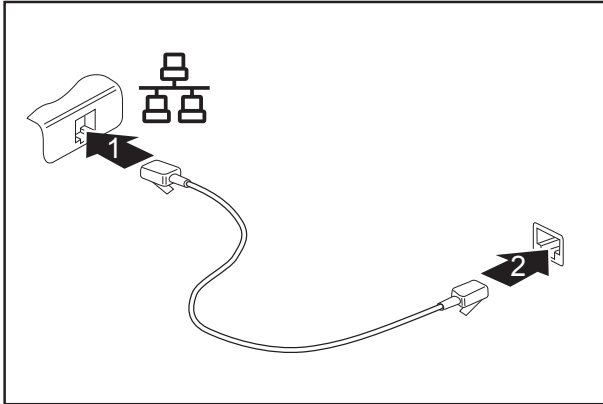
You can purchase the accessories for Wireless WAN reception from your Fujitsu dealer.

If you have ordered a Wireless WAN module, your device will already be prepared when you receive it.

You will find information on establishing the connection with the Wireless WAN network in the documentation for the hardware you plan to use.

## Ethernet and LAN

The internal network module of your notebook supports Ethernet LAN. You can use it to establish a connection to a local network (LAN = Local Area Network).



- ▶ Connect the network cable to the LAN port of the notebook (1).
- ▶ Connect the network cable to your network connection (2).



Your network administrator can help you to configure and use the LAN connections.

The network cable is not included in the delivery scope. This type of cable can be obtained from a specialist dealer.

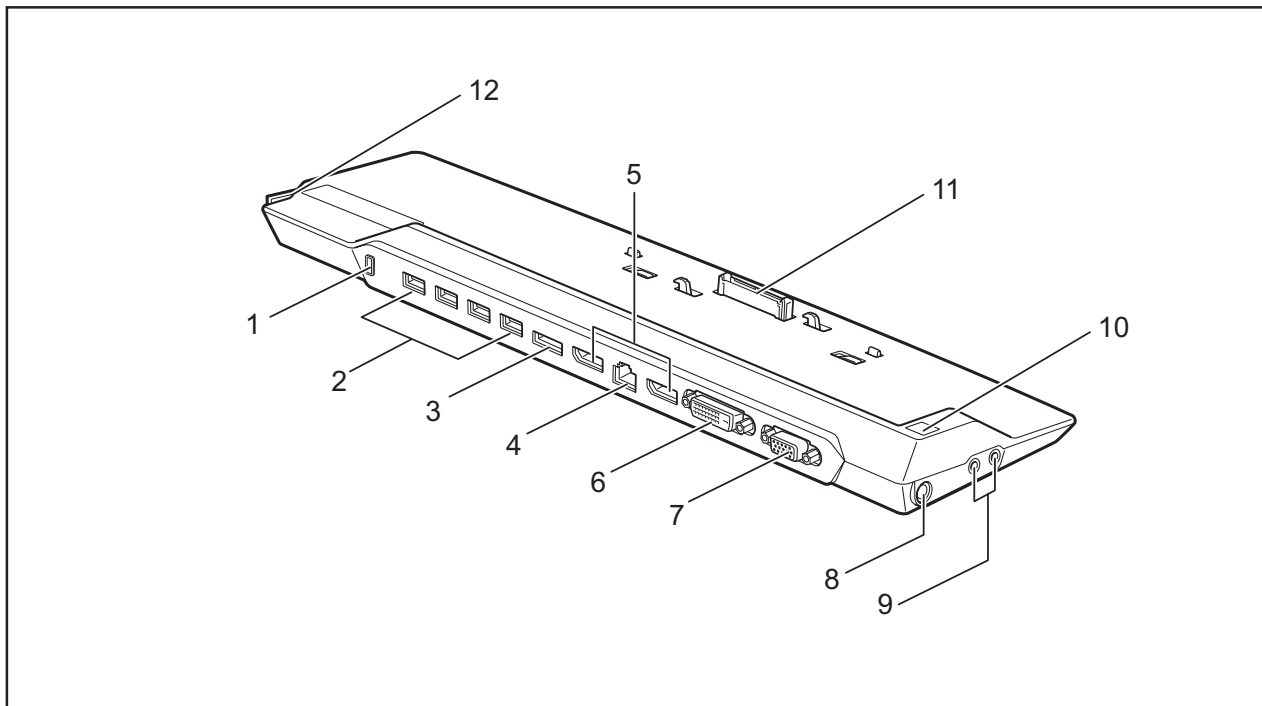
## Your Port Replicator (optional)

The Port Replicator is a device that helps you to quickly connect your notebook to your peripheral devices, such as a monitor, printer etc.

The features offered by the Port Replicator include standard ports for monitor, audio, mouse and keyboard.

You need only dock the notebook in order to work with your peripheral devices.

### Ports on the Port Replicator



1 = Security Lock device

2 = USB 3.0 ports

3 = ESata port

4 = LAN port

5 = DisplayPorts

6 = DVI-D monitor port

7 = VGA monitor port

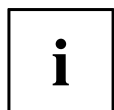
8 = DC input connector (DC IN)

9 = Headphones and microphone port

10 = Power ON/OFF button

11 = Connector on the Port Replicator for the docking port on the underside of the notebook

12 = Unlocking lever



The DVI port and DisplayPort cannot be used at the same time.

### Multi Monitoring

Up to three displays are supported: with the optional Port Replicator you can take multi-tasking to the next level. With the ability of running three monitors you will have enough real-estate to cut

from one document and paste to another and keep track of email without closing one app so you can see another. This is the key to being efficient in today's business environments.

Possible monitor combinations:

LIFEBOOK ports		Port Replicator ports		
LCD notebook monitor	DisplayPort	DisplayPort	DVI-D port	VGA port
-	X	X	-	-
-	X	-	X	-
-	X	-	-	X
X	X	X	-	-
-	X	X	-	X
X	-	X	-	-
-	-	X	-	X

## Connecting the notebook to the Port Replicator



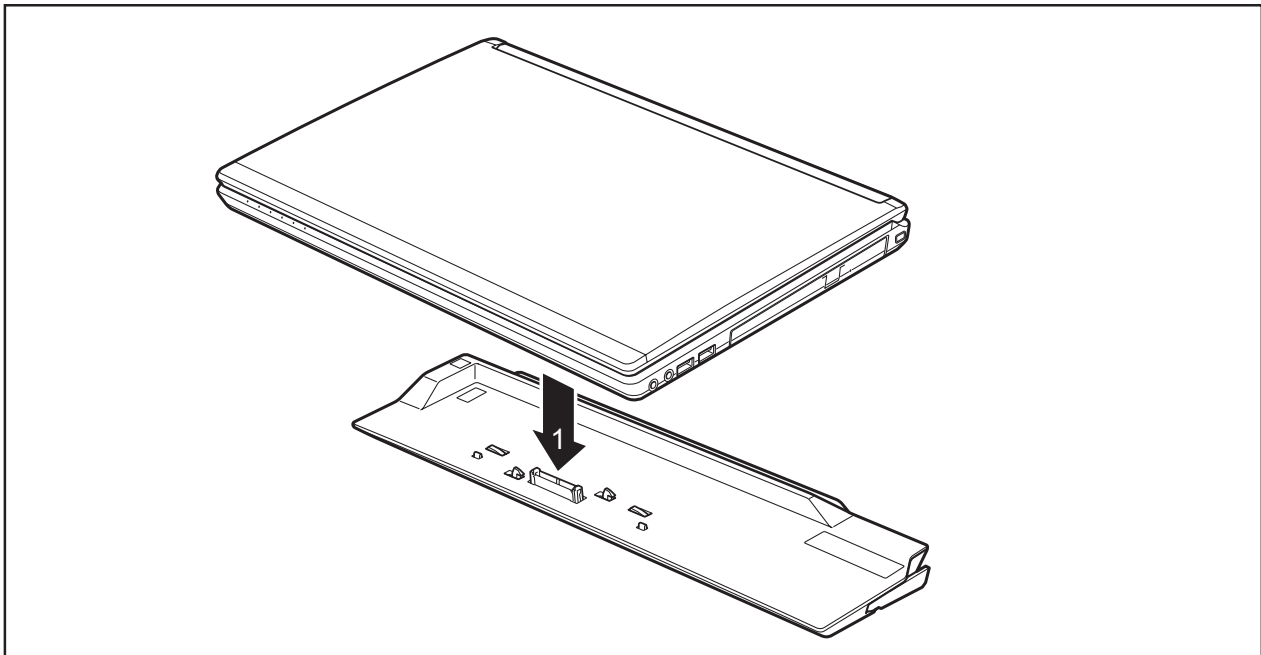
If you connect the notebook to the Port Replicator during operation, problems can occur. We recommend that you switch off the notebook beforehand.



The AC adapter must be connected to the Port Replicator when the notebook is connected to the Port Replicator.

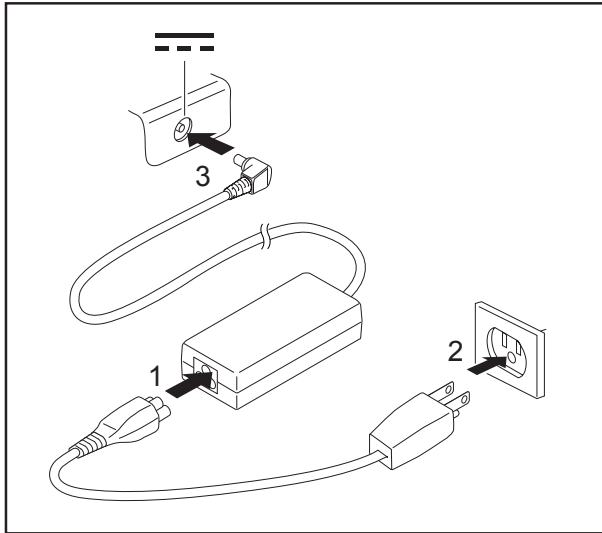
We recommend that the notebook is not operated with the LCD screen closed when the notebook is connected to the Port Replicator. The resulting overheating can cause reduced performance and increased activity of the integrated fan.

- ▶ Switch the notebook off.
- ▶ Remove the AC plug for the AC adapter from the power outlet.
- ▶ Disconnect the AC adapter cable from the DC socket (DC IN) of the notebook.



- ▶ Position the notebook so that it is in line with the back edge of the Port Replicator.
- ▶ Place the notebook onto the Port Replicator (1) and ensure that it locks into place correctly.

## Connecting the AC adapter to the Port Replicator



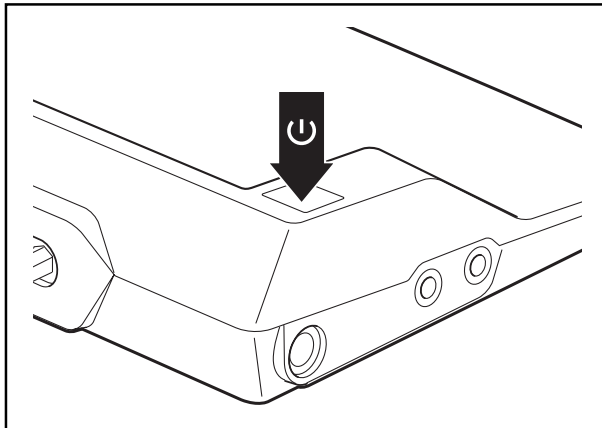
- ▶ Connect the power cable to the AC adapter (1).
- ▶ Plug the power cable into the power outlet (2).
- ▶ Connect the AC adapter cable to the DC jack (DC IN) of the Port Replicator (3).



Power Outlets will vary from country to country, see chapter ["When travelling in other countries "](#), Page 16.

When the notebook is connected to a Port Replicator, the operating system creates a hardware profile for the "Docked" mode. In this profile, for example, the setting is saved as to which monitor was last used for output. This profile will be loaded, as soon as the notebook is connected to a Port Replicator of the same type.

## Switching on the notebook via the port replicator



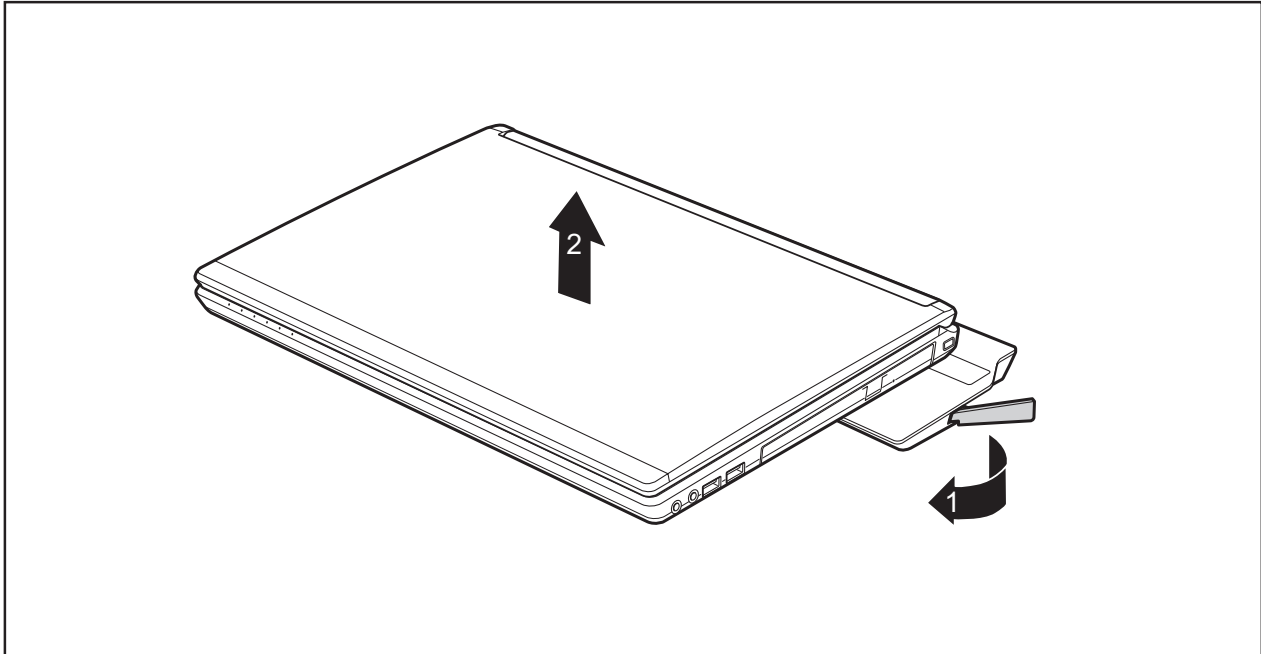
- ▶ Press the Power ON/OFF button on the port replicator to switch the notebook on.
- ↳ The power-on indicator of the Port Replicator lights up.

## Disconnecting the notebook from the Port Replicator



Problems may occur if the notebook is removed from the Port Replicator during operation. We recommend that the notebook is switched off or that the appropriate undocking function provided by the operating system is executed.

- ▶ Switch the notebook off.



- ▶ Pull the unlocking lever in the direction of the arrow (1), until you hear the notebook unlatch.
- ▶ Lift off the notebook (2).

# Security functions

Your notebook has several security features that you can use to secure your system from unauthorized access.

This chapter explains how to use each function, and what the benefits are.



Please remember that in some cases, for example, forgetting your password, you may be locked out and unable to access your data. Therefore, please note the following information:

- Make regular backups to external data carriers such as external hard drives, CDs, DVDs or Blu-ray Discs.
- Some security functions need you to choose passwords. Make a note of the passwords and keep them in a safe place.

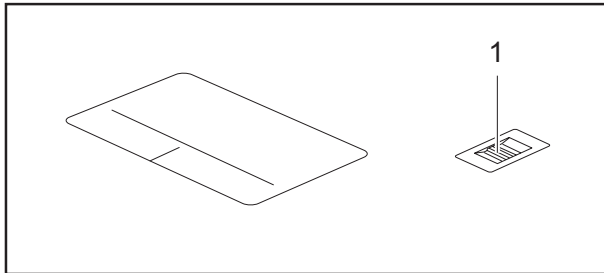
If you forget your passwords you will need to contact the our Service Desk. Deletion or resetting of passwords is not covered by your warranty and a charge will be made for assistance.

## Configuring the fingerprint sensor



Whether or not your device has a fingerprint sensor depends on the device configuration you have ordered.

The fingerprint sensor can record an image of a fingerprint. With additional fingerprint software, this image can be processed and used instead of a password.



- ▶ You must install the fingerprint software in order to be able to use the fingerprint sensor (1).



To install OmniPass on your system you must run the Bonus Apps tool as detailed in the Starting section of this manual. Once Bonus Apps have been installed, you may be prompted to restart you system. Once your system has rebooted you will be able to use OmniPass. If you choose not to restart immediately after installation, OmniPass will not be available for use until the next reboot.

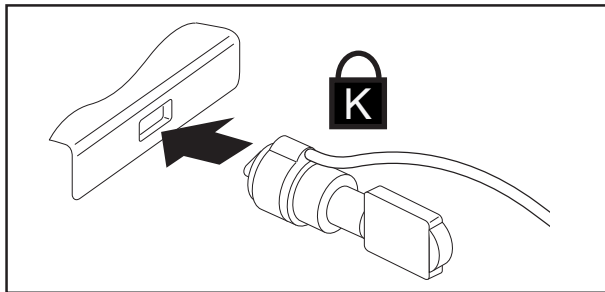
For further information about the fingerprint sensor see "Appendix: Miscellaneous Information".

## Using the Security Lock

Your device comes with a Security Lock mechanism for the Kensington Lock Cable. You can use the Kensington Lock Cable, a sturdy steel cable, to help protect your notebook from theft. The Kensington Lock Cable is available as an accessory.



Fujitsu recommends the use of a combination lock.



- Fit the Kensington Lock Cable to the mechanism on your notebook.



Attach another Kensington Lock Cable to your Port Replicator to protect your Port Replicator from theft as well.

## Configuring password protection in BIOS Setup Utility



Before using the various options for password protection in the *BIOS Setup utility* to increase data security, please observe the following:

Make a note of the passwords and keep them in a safe place. If you forget your supervisor HDD password you will not be able to access your notebook. Passwords are not covered by your warranty and a charge will be made for assistance.



Your password can be up to eight characters long and contain letters and numbers. No distinction is made between uppercase and lowercase.

## Protecting BIOS Setup Utility (supervisor and user HDD password)



If you have opened these operating instructions on the screen, we recommend that you print them out. You cannot call the instructions onto the screen while you are setting up the password.

The supervisor HDD password and the user HDD password both prevent unauthorized use of the *BIOS-Setup-Utility*. With the aid of the supervisor HDD password you can access all of the functions of the *BIOS-Setup-Utility*, while the user HDD password will only give you access to some of the functions. You can only set up a user HDD password if a supervisor HDD password has already been assigned.



Please refer to section ["Settings in BIOS Setup Utility", Page 73](#) for a description of how to call up and operate the *BIOS-Setup-Utility*.

### Setting supervisor and user HDD password

- ▶ Start the *BIOS Setup Utility* and go to the *Security* menu.
- ▶ Select the *Set Supervisor Password* field and press the Enter key.
- ↳ With *Enter new Password*: you are asked to enter a password.
- ▶ Enter the password and press the Enter key.
- ↳ *Confirm new Password* requires you to confirm the password.
- ▶ Enter the password again and press the Enter key.
- ↳ *Changes have been saved* is a confirmation that the new password has been saved.
- ▶ To set the user HDD password, select *Set User Password* and proceed exactly as when configuring the supervisor HDD password.
- ↳ If you do not want to change any other settings, you can exit *BIOS Setup Utility*.
- ▶ In the *Exit* menu, select the option *Save Changes & Exit*.
- ▶ Select *Yes* and press the Enter key.
- ↳ The notebook will be rebooted and the new password will come into effect. It will now be necessary to first enter your supervisor or user HDD password in order to open the *BIOS Setup Utility*. Please note that the user HDD password only provides access to a few of the BIOS settings.

### Changing the supervisor or user HDD password

You can only change the supervisor HDD password when you have logged into the *BIOS Setup Utility* with the supervisor HDD password.

- ▶ Call the *BIOS Setup Utility* and go to the *Security* menu.
- ▶ When changing the password, proceed exactly as for password assignment.

### Removing passwords

To remove a password (without setting a new password) perform the following steps:

- ▶ Start the *BIOS Setup Utility* and go to the *Security* menu.
- ▶ Highlight the *Set Supervisor Password* or *Set User Password* field and press the Enter key.
- ↳ You will be requested to enter the current password by the *Enter Current Password* prompt. You will be requested to enter a new password by the *Enter New Password* prompt.
- ▶ Press the Enter key twice.
- ▶ In the *Exit* menu, select the option *Save Changes & Exit*.
- ▶ Select *Yes* and press the Enter key.
- ↳ The notebook will now reboot with the password removed.  
Removing the supervisor HDD password simultaneously deactivates the user HDD password.

### Password protection for booting of the operating system



With the supervisor HDD password you have set in the *BIOS Setup Utility* (see section ["Setting supervisor and user HDD password", Page 55](#)), you can also prevent booting of the operating system.

### Activating system protection

- ▶ Start the *BIOS Setup Utility* and go to the *Security* menu.
- ▶ Select the *Password on Boot* option and press the Enter key.
- ▶ Select the desired option (*Disabled*, *First Boot* or *Every Boot*) and press the Enter key.
- ▶ Select the *Save Changes & Exit* option under *Exit*.
- ↳ The notebook will reboot. You will be prompted to enter your password (the supervisor HDD password).

### Deactivating system protection

- ▶ Start the *BIOS Setup Utility* and go to the *Security* menu.
- ▶ Select the *Password on Boot* option and press the Enter key.
- ▶ Select the *Disabled* option and press the Enter key.
- ↳ If you do not want to change any other settings, you can exit *BIOS Setup Utility*.
- ▶ Select the *Save Changes & Exit* option under *Exit*.
- ↳ The notebook will reboot. The system is no longer password-protected.

## Trusted Platform Module (TPM) (device-dependent)

To use the TPM, you **must** activate the TPM in the *BIOS Setup* before the software is installed. The condition for this is that you have assigned at least the supervisor HDD password (see ["Security functions", Page 53](#)).

### Enabling TPM

- Requirement: You have assigned a supervisor HDD password, see ["Security functions", Page 53](#).
- ▶ Call up the BIOS Setup and select the *Security* menu.
- ▶ Mark the *TPM (Security Chip) Setting* field and press the Enter key.
- ▶ Select the "*Security Chip*" "*Enabled*" entry to activate the TPM.
- ↳ Once you have activated the TPM through a reboot, the *Clear Security Chip* option appears. With *Clear Security Chip*, you can delete the owner in the TPM, if the TPM has already been used. With *Enabled*, all secret keys (e.g. SRK - Storage Root Keys, AIK - Attestation Identity Keys etc.) generated by applications are deleted.  
  
Please note that you will then no longer be able to access the data you have encrypted with the keys based on that holder.
- ▶ Select the *Exit Saving Changes* option in the Exit menu.
- ▶ Press the Enter key and select *Yes*.
- ↳ The notebook will restart, and TPM will be enabled after the reboot.

### Disabling TPM

- Requirement: You have assigned a supervisor HDD password, see ["Security functions", Page 53](#).
- ▶ Call up the BIOS Setup and select the *Security* menu.
- ▶ Mark the *TPM (Security Chip) Setting* field and press the Enter key.
- ▶ Select "*Security Chip*" "*Disabled*" to deactivate the TPM.
- ▶ From the *Exit* menu, choose the option *Exit Saving Changes*.
- ▶ Press the Enter key and select *Yes*.
- ↳ Your notebook will now restart and TPM will be disabled.

## SmartCard reader



Depending on the device configuration level, your notebook is equipped with a SmartCard reader.

SmartCards are not supplied as standard equipment. You can use all SmartCards that comply with the ISO standard 7816-1, -2 or -3. These SmartCards are available from various manufacturers.

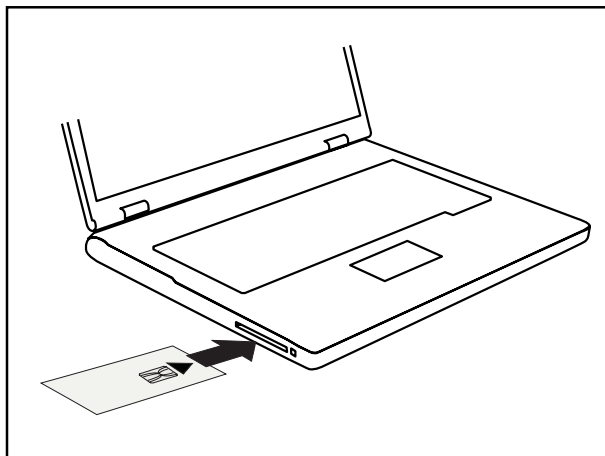
With the appropriate software you can use your SmartCard as an alternative to password protection, but also as a digital signature, for encrypting your e-mails or for home banking.

We recommend that you always use two SmartCards. Always keep one of the SmartCards in a safe place if you are carrying the other SmartCard with you.

## Inserting the SmartCard



Do not use force when inserting and removing the SmartCard.  
Make sure that foreign objects do not fall into the SmartCard reader.



- ▶ Slide the SmartCard into the SmartCard reader with the chip facing upwards (on some variants it faces down) and to the front.

# Connecting external devices



Always refer to the safety information provided in "[Important notes](#)", [Page 14](#) before connecting or disconnecting any devices to or from your notebook.

Always read the documentation supplied with the device you wish to connect.

Never connect or disconnect cables during a thunderstorm.

Never pull at a cable when disconnecting it. Always grasp the plug.

Follow the steps below in order, when connecting or disconnecting devices to your notebook:



With some devices such as USB devices, it is not necessary to switch off the notebook and the device before connecting/disconnecting. For more information about whether or not devices need to be switched off, please refer to the documentation supplied with the external device.

Some of the external devices require special drivers (see the operating system and external device documentation).

## Connecting devices to the notebook

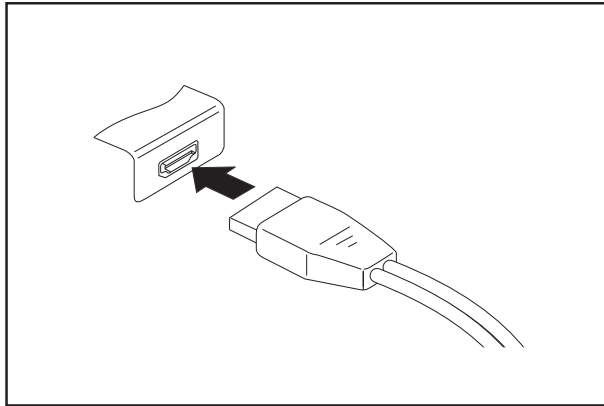
1. Turn off your notebook and all external devices.
2. Unplug your notebook and all devices from the power outlets.
3. Connect the cables for your external devices following the instructions.
4. Plug all power cables into the power outlets.

## Disconnecting devices from the notebook

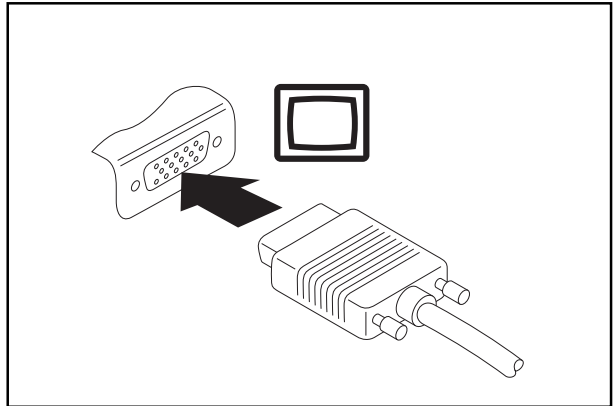
1. Turn off your notebook and all external devices.
2. Unplug your notebook and all devices from the power outlets.
3. Disconnect the cables for your external devices following the instructions.

## Connecting an external monitor

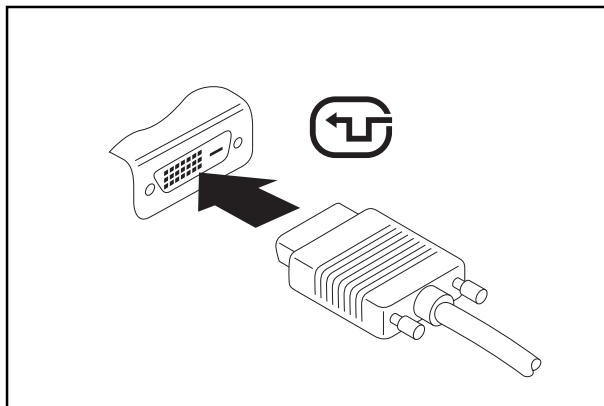
An analogue monitor is connected to the analogue VGA monitor port, a digital monitor to the DisplayPort or to the DVI-D monitor port on the optional Port Replicator. Monitor output is limited to a maximum of two monitors at any one time (see ["Key combinations", Page 27](#), section "Toggle output monitor").



Digital DisplayPort

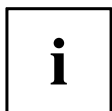


Analogue VGA monitor port



Digital DVI-D monitor port (on the optional Port Replicator)

- ▶ Switch off the notebook and the external monitor.
- ▶ Plug the data cable of the external monitor into the monitor port.
- ▶ First switch on the external monitor and then the notebook.



You can also switch between the external monitor and the LCD monitor of the notebook, see chapter ["Key combinations", Page 27](#).

You can display the same picture on the external monitor and the notebook LCD monitor simultaneously.

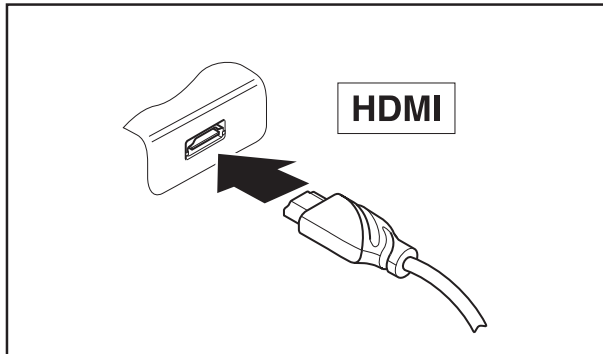
If you wish to operate the monitor via a DVI port, use the optional Port Replicator available for your notebook.

## HDMI port



Depending on the device variant, your device may include an integral HDMI port (LIFEBOOK E754).

The HDMI port on your notebook can be used to connect an external amplifier, LCD TV or a plasma TV with an HDMI connection.



- ▶ Connect the data cable to the external device.
- ▶ Connect the data cable to the HDMI port of the notebook.

## Connecting USB devices

On the USB ports, you can connect external devices that also have a USB port (e.g. a DVD drive, a printer, a scanner or a modem).

**i**

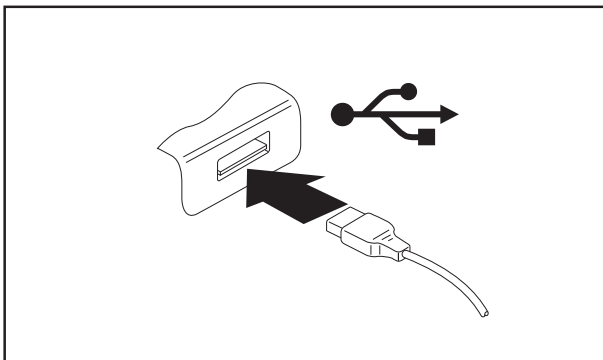
USB devices are hot-pluggable. This means you can connect and disconnect devices while your operating system is running.

USB 1.x has a maximum data transfer rate of 12 Mbit/s.

USB 2.0 has a data transfer rate of up to 480 Mbit/s.

USB 3.0 has a data transfer rate of up to 5 Gbit/s.

Additional information can be found in the documentation for the USB devices.



- ▶ Connect the data cable to the external device.
- ▶ Connect the data cable to a USB port of the notebook.

**i**

### Device drivers

USB devices will be automatically recognized and installed by your operating system.

## USB port with charging function (Anytime USB charge)

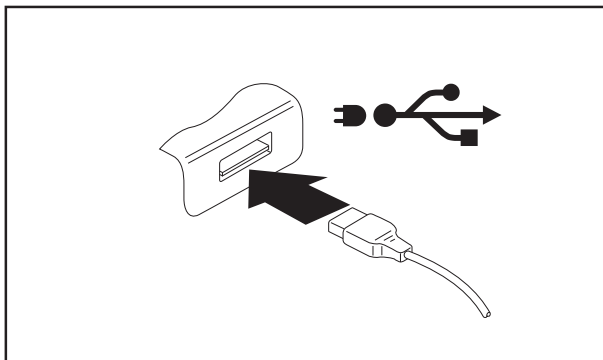


It is recommended that the notebook be operated with the power supply connected whenever the USB port with charging function is in use, as this function will drain the battery more quickly if an external USB device is being charged.

The power supply unit must already be connected when the notebook is switched off, as otherwise the USB charging function will be disabled and the connected USB devices will not be charged.



Some USB devices (e.g. mobile telephones) require a driver in order to utilize the USB charging function. In this case the USB charging function will not work when the notebook is switched off, as no drivers are active when the notebook is switched off.



You can use this USB port to charge or supply power to a USB device (e.g. to charge a PDA or a mobile phone or to connect a USB lamp), even if the notebook is switched off.

## How to remove USB devices correctly



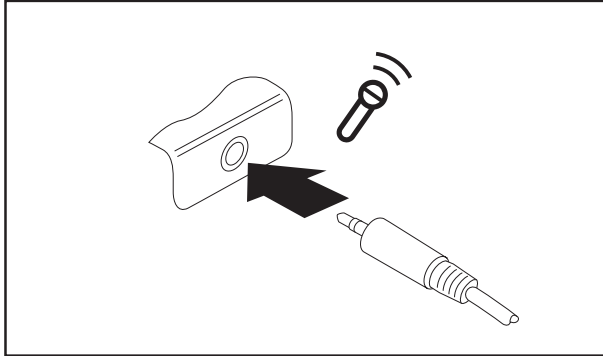
Always correctly remove the device according to the rules described below, to ensure that none of your data is lost.

- ▶ Left click on the icon to safely remove hardware, located in the taskbar.
- ▶ Select the device which you want to shut down and remove.
- ▶ Press the Enter key.
- ↳ Wait for the dialogue box which tells you that it is now safe to remove the device.

## Connecting external audio devices

### Microphone port/Line In

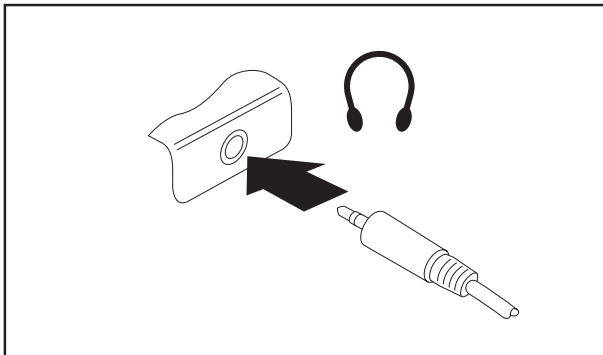
The microphone port/Line In allows you to connect an external microphone, a MiniDisc player, MP3 player, CD player or a tape deck to your notebook.



- ▶ Connect the audio cable to the external device.
- ▶ Connect the audio cable to the microphone port/Line In of the notebook.

### Headphone port

You can connect headphones or external speakers to your notebook via the headphone port.



- ▶ Connect the audio cable to the external device.
- ▶ Connect the audio cable to the headphone port of the notebook.
- ↳ The internal speakers are disabled.



If you purchase a cable from a retailer, please note the following information:

The headphone port on your notebook is a "3.5 mm jack socket".

If you want to connect headphones or a speaker you will need a "3.5 mm jack plug".

# Removing and installing components during servicing



Only qualified technicians should repair your notebook. Unauthorized opening or incorrect repair may greatly endanger the user (electric shock, fire risk) and will invalidate your warranty.

After consulting the Hotline/Service Desk, you may remove and install the components described in this chapter yourself.



If you remove and install components without consulting the Hotline/Service Desk, then the warranty of your notebook will be voided.

## Notes on installing and removing boards and components

- Switch the notebook off and pull the power plug out of the electrical outlet.
- Always remove the battery.
- Take care when you use the locking mechanisms on the battery and any other component.
- Never use sharp objects such as screwdrivers, scissors or knives as leverage to remove covers.



Boards with electrostatic sensitive devices (ESD) are marked with the label shown.

When handling boards fitted with ESDs, you must always observe the following points:

- You must always discharge static build up (e.g. by touching a grounded object) before working.
- The equipment and tools you use must be free of static charges.
- Remove the power plug from the AC supply before inserting or removing boards containing ESDs.
- Always hold boards with ESDs by their edges.
- Never touch pins or conductors on boards fitted with ESDs.

## Preparing to remove components

If you are going to remove or change system components, prepare for the removal as follows:



Please observe the safety information in chapter ["Important notes", Page 14](#).

Remove the power plug from the power outlet !

- ▶ Switch the device off.



The device must not be in energy-saving mode !

- ▶ Close the LCD screen.
- ▶ Remove all the cables from the device.
- ▶ Turn the device over and place it on a stable, flat and clean surface. If necessary, lay an anti-slip cloth on this surface to prevent the device from being scratched.
- ▶ Remove the battery (see ["Removing a battery", Page 34](#)).

## Removing and installing the memory expansion

If you are asked by the Hotline/Service Desk to remove and install the memory expansion yourself, proceed as follows:



Please observe the safety information in chapter ["Important notes", Page 14](#).

When installing/removing memory modules, the battery must be removed from the notebook and the notebook must not be connected to the power supply, see ["Preparing to remove components", Page 66](#).

Only use memory expansion modules that have been approved for your notebook (see ["Technical data", Page 82](#)).

Never use force when installing or removing a memory extension.

Make sure that foreign objects do not fall into the memory extension compartment.

You must open the service compartment to remove or install a memory module. On some devices, opening the compartment may expose other components. These components should be removed and replaced only by authorized specialists. Therefore, be sure to observe the following:

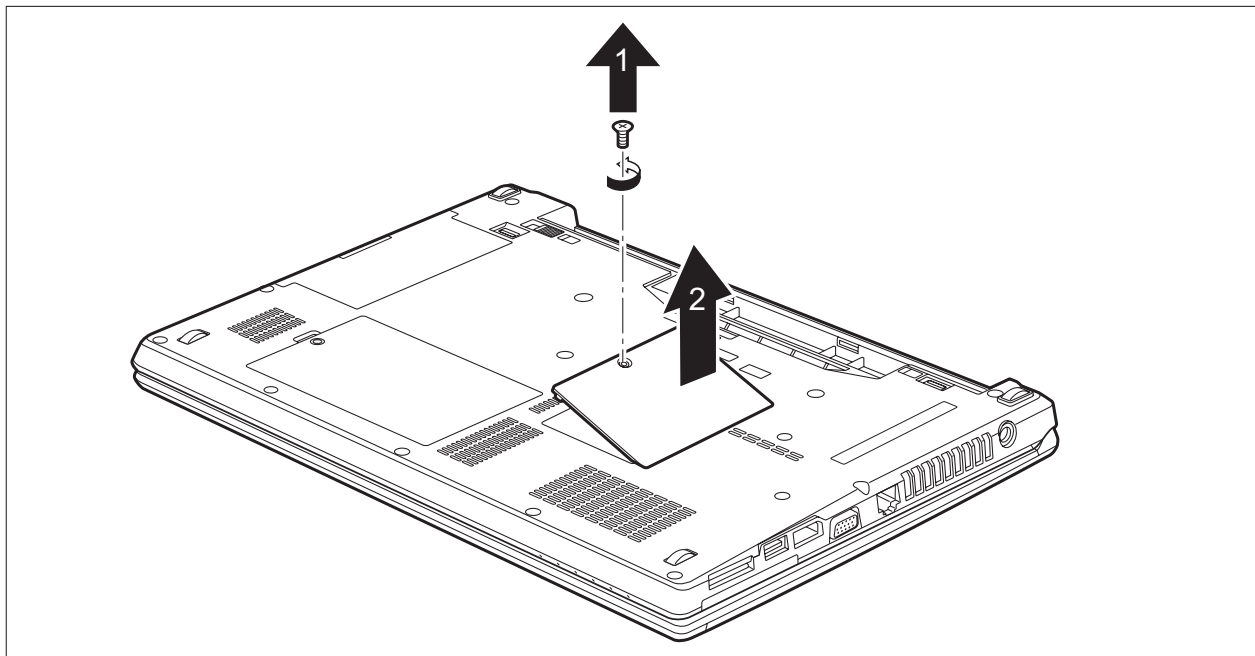


Individual components can become very hot during operation. Therefore, we recommend that you wait one hour after switching off the notebook before removing or installing memory modules. Otherwise, there is a risk of suffering burns!

As some components are exposed that are sensitive to static electricity, please take note of chapter ["Notes on installing and removing boards and components", Page 65](#).

## Removing the cover

- ▶ Prepare for removal, see ["Preparing to remove components", Page 66](#).



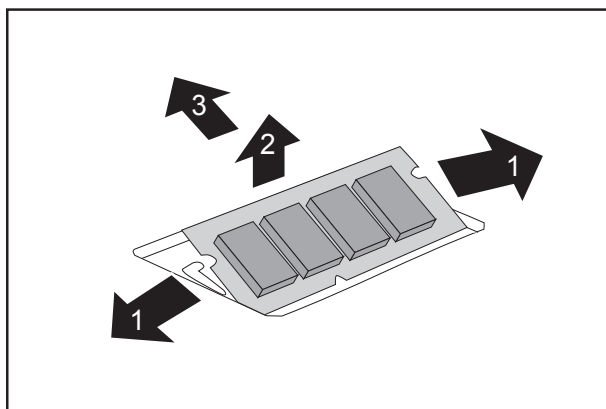
- ▶ Remove the screw (1).



Keep the screw in a safe place.

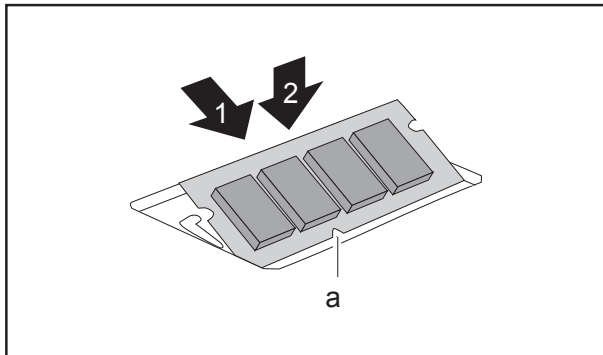
- ▶ Lift the cover off the notebook (2).

## Removing memory modules



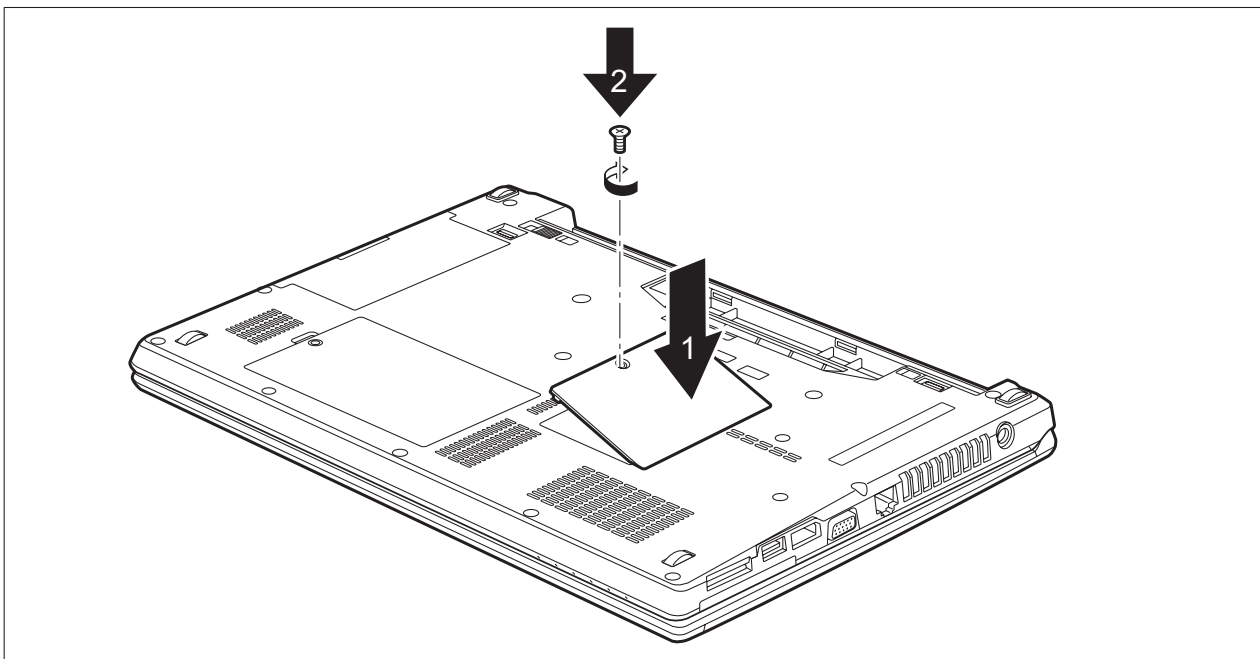
- ▶ Carefully push the two mounting clips outwards (1).
- ↳ The memory module snaps upwards (2).
- ▶ Pull the memory module out of its slot in the direction of the arrow (3).

## Installing a memory module



- ▶ Insert the memory module with the contacts and the recess (a) facing the slot (1).
- ▶ Carefully push the memory module downwards until you feel it click into place (2).

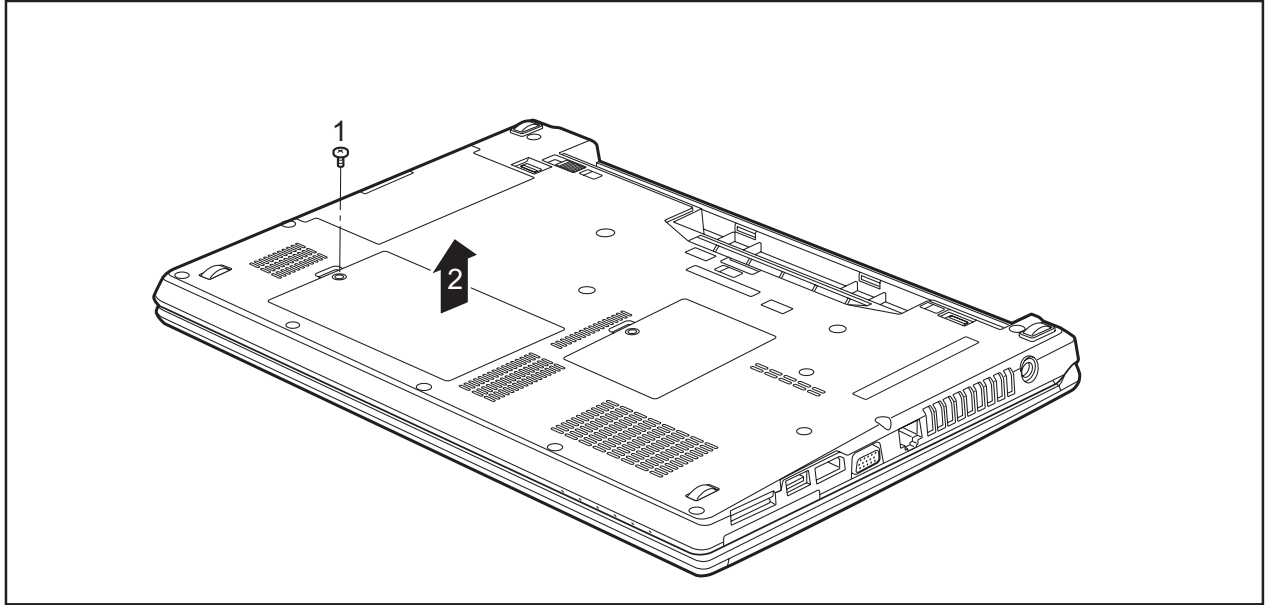
## Attaching the cover



- ▶ Place the cover in the correct mounting position (1).
- ▶ Tighten the screw (2).
- ▶ Complete the installation, see ["Finishing component removal", Page 72.](#)

## Removing and installing the hard disk

### Removing the cover



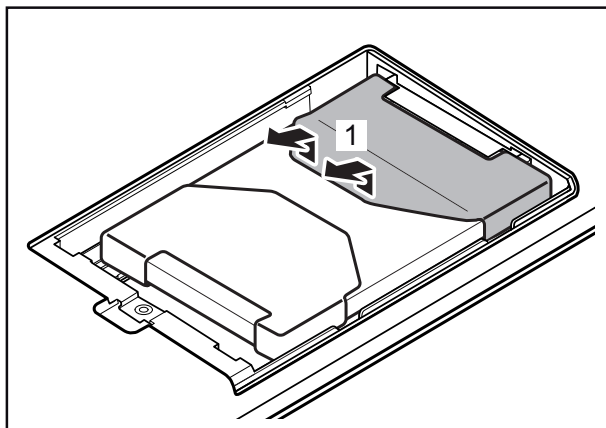
- ▶ Remove the screw (1).



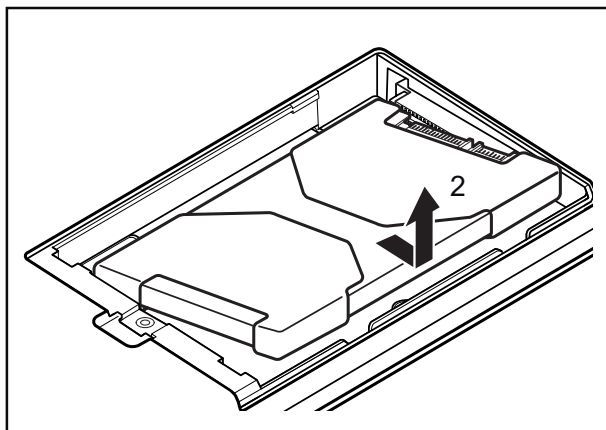
Keep the screw in a safe place. If you are removing more than one component at the same time, store the screws for the individual components separate from each other. If you install the wrong screws, components may be damaged.

- ▶ Lift the cover off the notebook (2).

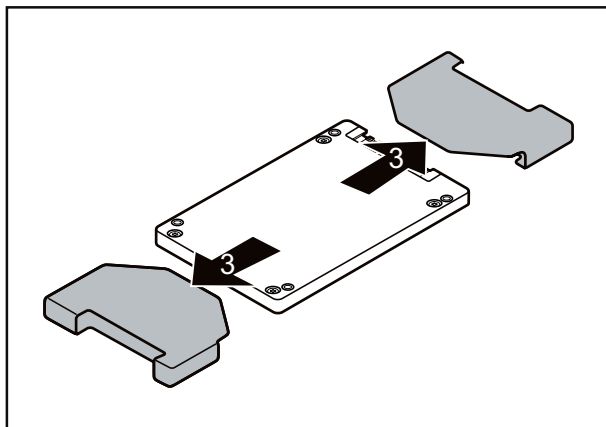
## Removing the hard disk



- ▶ To release the hard disk from the contacts, pull it in the direction of the arrow (1).

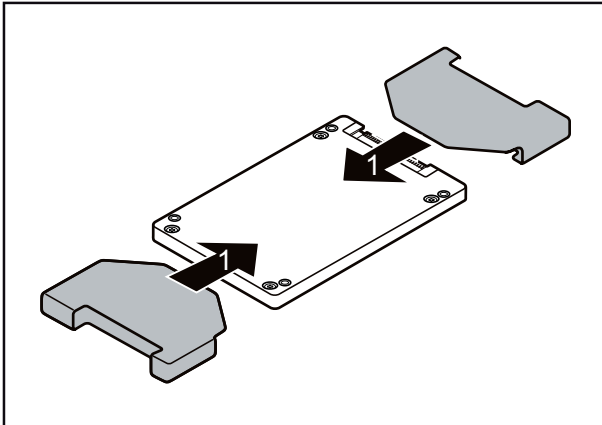


- ▶ Remove the hard disk from the hard disk compartment (2).

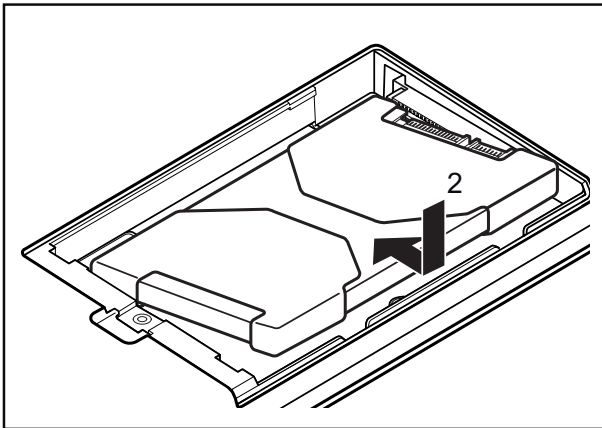


- ▶ Pull off the hard disk sheets (3).

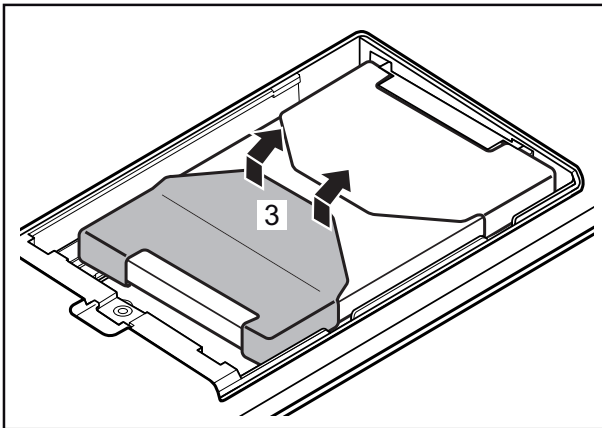
## Installing the hard disk



- ▶ Attach the hard disk sheets to the hard disk (1).

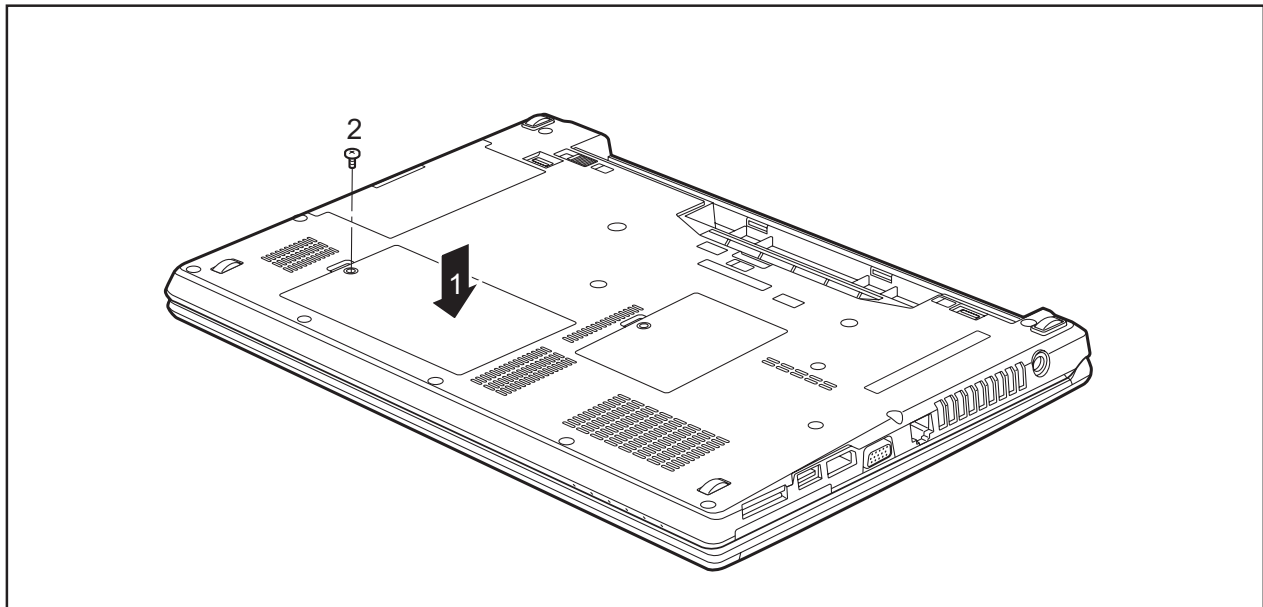


- ▶ Place the hard disk into the hard disk compartment (2).



- ▶ Pull the hard disk in the direction of the arrow (3) until the contacts of the hard disk engage.

## Attaching the cover



- ▶ Place the cover in the correct mounting position (1).
- ▶ Tighten the screw (2).

## Finishing component removal

After you have removed or changed the system components as you required, please prepare your device for operation again as follows:

- ▶ Install the battery again (see ["Installing a battery", Page 35](#)).
- ▶ Turn the notebook the right way up again and place it on a flat surface.
- ▶ Reconnect the cables that you disconnected before.

# Settings in BIOS Setup Utility

The *BIOS Setup Utility* allows you to set the system functions and the hardware configuration for the notebook.

When it is delivered, the notebook is set to factory default settings. You can change these settings in *BIOS Setup Utility*. Any changes you make take effect as soon as you save and exit the *BIOS Setup Utility*.

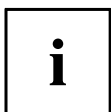
The *BIOS Setup Utility* program contains the following menus:

<i>Info</i>	Displays information relating to the BIOS, processor and notebook
<i>System</i>	Advanced system settings
<i>Advanced</i>	Configuration of various hardware components, such as mouse, keyboard, processor
<i>Security</i>	Password settings and security functions
<i>Boot</i>	Configuration of the start-up sequence
<i>Exit</i>	Exits the <i>BIOS Setup Utility</i>

## Starting the BIOS Setup Utility

- ▶ Reboot the device (switch off/on to reboot the operating system).
- ↳ The following or a similar display appears on the screen at start-up:  

```
<F2> BIOS Setup <F12> Boot Menu
```
- ▶ Press the function key **F2**.
- ▶ If a password has been assigned, enter the password and press the Enter key.



If you have forgotten the password, contact your system administrator or contact our customer service centre.

The *BIOS Setup Utility* starts.

## Operating BIOS Setup Utility



Press the **F1** key to display help on the operation of the *BIOS Setup Utility*. The description of the individual settings is shown in the right-hand window of the *BIOS Setup Utility*.

With the **F9** key you can load the default settings of the *BIOS Setup Utility*.

- ▶ Use the cursor keys **←** or **→** to select the menu you wish to access to make changes.
- ↳ The menu is displayed on the screen.
- ▶ Select the option you want to change with the cursor keys **↑** or **↓**.
- ▶ Press the Enter key.
- ▶ Press the **ESC** key to exit the selected menu.
- ▶ For future reference, make a note of the changes you have made (for example, in this manual).

## Exiting BIOS Setup Utility

You need to select the desired option in the *Exit* menu and activate it by pressing the Enter key:

### Exit Saving Changes – save changes and exit BIOS Setup Utility

- ▶ To save the current menu settings and exit the *BIOS Setup Utility*, select *Exit Saving Changes* and *Yes*.
- ↳ The notebook is rebooted and the new settings come into effect.

### Exit Discarding Changes – Discard changes and exit BIOS Setup Utility

- ▶ To discard the changes, select *Exit Discarding Changes* and *Yes*.
- ↳ The settings in place when *BIOS Setup Utility* was called remain effective. *BIOS Setup Utility* is terminated and the notebook is rebooted.

### Load Setup Defaults – Copy Standard Entries

- ▶ To copy the standard entries for all menus of the *BIOS Setup Utility*, choose *Load Setup Defaults* and *Yes*.

### Discard Changes – Discard changes without exiting the BIOS Setup Utility

- ▶ To discard the changes you have made, select *Discard Changes* and *Yes*.
- ↳ The settings in place when *BIOS Setup Utility* was called remain effective. You can now make additional settings in the *BIOS Setup Utility*.
- ▶ If you want to exit *BIOS Setup Utility* with these settings, select *Exit Saving Changes* and *Yes*.

### Save Changes – save changes without exiting the BIOS Setup Utility

- ▶ To save the changes, select *Save Changes* and *Yes*.
- ↳ The changes are saved. You can now make additional settings in the BIOS Setup Utility.
- ▶ If you want to exit BIOS Setup Utility with these settings, choose *Exit Saving Changes* and *Yes*.

### Save Changes and Power Off

- ▶ To save the changes and switch off your device, select *Save Changes and Power Off* and *Yes*.
- ↳ The changes are saved. Your device is shut down.

# Troubleshooting and tips

If a fault occurs, try to correct it as described. If you fail to correct the problem, proceed as follows:

- ▶ Make a note of the steps and the circumstances that led to the fault. Also make a note of any error messages displayed.
- ▶ Switch the notebook off.
- ▶ Please contact the Hotline/Service Desk.



You can contact Fujitsu Service and Support in the following ways:

- Toll free: 1-800-Fujitsu (1-800-838-5487)
- Website: "<http://solutions.us.fujitsu.com/www/content/support/contact/index.php>"

Please have the following information ready when you call:

- The model name and serial number of the notebook. The serial number is located on a sticker on the underside of the notebook.
- Notes of any messages that appear on the screen and information on acoustic signals.
- Any changes you have made to the hardware or software since receiving the notebook.
- Any changes you have made to the *BIOS Setup* settings since receiving the notebook.
- Your system configuration and all peripheral devices connected to your system.
- Your sales contract.



Our notebooks have been designed primarily with mobile applications in mind. This means that considerable effort has been made to optimize components and equipment in terms of weight, space and energy requirements. Depending on the particular configuration you have purchased, it is possible that functionality may be slightly reduced compared to a desktop PC if you are running processor-intensive gaming software, e.g. games with intensive 3D graphics. Updating your hardware with drivers which have not been approved by Fujitsu may result in performance losses, data losses or malfunction of the equipment. A list of approved drivers and current BIOS versions can be downloaded from: "<http://solutions.us.fujitsu.com>"

## Help if problems occur

Should you encounter a problem with your computer that you cannot resolve yourself:

- ▶ Note the ID number of your device. The ID number is found on the type rating plate on the back or underside of the casing.
- ▶ For further clarification of the problem, contact the Fujitsu Service Desk. When you do this, please have ready the ID number and serial number of your system.

## Recovering your Factory Image

In the event you need to restore your original Factory Image refer to the steps in "Appendix: Miscellaneous Information".

## The notebook's date or time is incorrect

Cause	Troubleshooting
Time and date are incorrect.	▶ With the <i>BIOS-Setup-Utility</i> , you can set the date and time in the <i>main</i> menu.
If the time and date are still set incorrectly after switching on the notebook.	▶ Please contact your sales outlet or our Hotline/Service Desk.

## When certain characters are entered on the keyboard, only numerals are written

Cause	Troubleshooting
The virtual numeric keypad of your device is activated, see <a href="#">"Virtual numeric keypad", Page 26</a>	▶ Press the <code>Num</code> key.

## The notebook's LCD screen remains blank

Cause	Troubleshooting
Monitor is switched off.	▶ Press a key or touch the touchpad.
External monitor or television set connected.	▶ Press the key combination to switch the screen output, see <a href="#">"Key combinations", Page 27</a> .

## The LCD screen is difficult to read

Cause	Troubleshooting
Reflected glare	<ul style="list-style-type: none"> <li>▶ Turn the notebook or alter the tilt of the LCD screen.</li> <li>▶ Increase the brightness of the screen.</li> </ul>

## The external monitor remains blank

Cause	Troubleshooting
Monitor is switched off.	▶ Switch the external monitor on.
Power saving has been activated (monitor is blank).	▶ Press any key to continue.
Brightness is set to dark.	▶ Adjust the brightness of the monitor.
Screen output is set to the notebook's LCD screen	▶ Press the key combination to switch the screen output, see <a href="#">"Key combinations", Page 27</a> .
The external monitor's power cable or data cable is not connected properly.	<ul style="list-style-type: none"> <li>▶ Switch off the external monitor and the notebook.</li> <li>▶ Check whether the power cable is plugged properly into the external monitor and into the poweroutlet.</li> <li>▶ Check whether the data cable is properly connected to the notebook and the external monitor (if it is plugged in with a connector).</li> <li>▶ Switch on the external monitor and the notebook.</li> </ul>

## The external monitor is blank or the image is unstable

Cause	Troubleshooting
The wrong external monitor has been selected or the wrong screen resolution has been set for the application program.	<ul style="list-style-type: none"> <li>▶ Terminate the application program in Windows by pressing <b>Alt</b> + <b>F4</b>. If the fault persists after closing the program, use the key combination for switching the screen output (see <a href="#">"Key combinations", Page 27</a>) to switch over to the notebook's LCD screen. Change the following setting:</li> <li>▶ Set the screen resolution: Set the screen resolution as described in the documentation for your operating system.</li> <li>▶ Select monitor: Select monitor 1 or 2 as described in the documentation for your operating system.</li> </ul>

## The notebook cannot be started

Cause	Troubleshooting
The battery is not installed correctly.	<ul style="list-style-type: none"> <li>▶ Check whether the battery is installed correctly in its compartment.</li> <li>▶ Switch the notebook on.</li> </ul>
The battery is dead.	<ul style="list-style-type: none"> <li>▶ Charge the battery.</li> </ul> <p>or</p> <ul style="list-style-type: none"> <li>▶ Insert a charged battery.</li> </ul> <p>or</p> <ul style="list-style-type: none"> <li>▶ Connect the AC adapter to the notebook.</li> </ul>
The power adapter is not connected correctly.	<ul style="list-style-type: none"> <li>▶ Check whether the AC adapter is connected correctly to the notebook.</li> <li>▶ Switch the notebook on.</li> </ul>

## The notebook stops working

Cause	Troubleshooting
Notebook is in energy saving mode.	<ul style="list-style-type: none"> <li>▶ Leave energy saving mode.</li> </ul>
An application program has caused the malfunction.	<ul style="list-style-type: none"> <li>▶ Close the application program or restart the notebook (by restarting the operating system or switching the device off and back on again).</li> </ul>
The battery is dead.	<ul style="list-style-type: none"> <li>▶ Charge the battery.</li> </ul> <p>or</p> <ul style="list-style-type: none"> <li>▶ Insert a charged battery.</li> </ul> <p>or</p> <ul style="list-style-type: none"> <li>▶ Connect the AC adapter to the notebook.</li> </ul>

## The printer does not print

Cause	Troubleshooting
The printer is not switched on.	<ul style="list-style-type: none"> <li>▶ Make sure that the printer is switched on and ready for operation (refer to the documentation supplied with the printer).</li> </ul>
The printer is not connected correctly.	<ul style="list-style-type: none"> <li>▶ Check that the data cable connecting the notebook to the printer is properly connected.</li> </ul>
The printer driver is faulty or not correctly installed, or it is the wrong printer driver.	<ul style="list-style-type: none"> <li>▶ Check that the data cable connecting the notebook to the printer is properly connected.</li> <li>▶ Check whether the correct printer driver is loaded (refer to the printer documentation).</li> </ul>

## The radio connection to a network does not work

(Possible) Cause	Troubleshooting
The wireless component is disabled.	<ul style="list-style-type: none"> <li>▶ Switch the radio component on (see <a href="#">"Switching the wireless components on and off", Page 45</a>).</li> </ul>
The wireless component is enabled. Despite this, the wireless connection to a network does not work.	<ul style="list-style-type: none"> <li>▶ Check whether the radio connection is switched on via the software.</li> <li>▶ Further information on using the radio component can be found in the help files.</li> </ul>

## Acoustic warnings

Cause	Troubleshooting
A beep sounds every few seconds. The battery is almost flat.	<ul style="list-style-type: none"> <li>▶ Charge the battery.</li> </ul>

## SmartCard reader is not recognized

Cause	Troubleshooting
Chip card inserted incorrectly.	<ul style="list-style-type: none"> <li>▶ Make sure you have inserted your SmartCard into the SmartCard reader with the chip facing upwards.</li> <li>▶ Check whether the SmartCard you are using is supported. Your SmartCard must comply with the ISO standard 7816-1, -2, -3 and -4.</li> </ul>

## SmartCard PIN forgotten

Cause	Troubleshooting
PIN forgotten	<ul style="list-style-type: none"> <li>▶ If you are working in a network, contact your system administrator, who can unlock your notebook with a Supervisor PIN.</li> </ul>

## SmartCard lost

Cause	Troubleshooting
SmartCard lost	<ul style="list-style-type: none"> <li>▶ If you are working in a network, contact your system administrator, who can boot up your notebook with a Supervisor SmartCard.</li> </ul>

## Error messages on the screen

This section describes the error messages generated by the BIOS Setup. Error messages displayed by the operating system or programs are described in the relevant documentation.



If the error message appears repeatedly, despite troubleshooting measures, please contact the place of purchase or our customer service centre.

Error message/cause	Resolution
<p><i>CMOS battery bad</i></p> <p>If the error message occurs repeatedly, the buffer battery in the notebook is flat.</p>	<ul style="list-style-type: none"> <li>▶ Contact your sales outlet or our customer service centre.</li> </ul>
<p><i>System CMOS checksum bad - default configuration used</i></p> <p>The system configuration information is incorrect.</p>	<ul style="list-style-type: none"> <li>▶ Switch the notebook off.</li> <li>▶ Switch the notebook on.</li> <li>▶ Press the function key <b>[F2]</b> to access the <i>BIOS Setup</i>.</li> <li>▶ In the <i>BIOS Setup</i>, select the <i>Exit</i> menu.</li> <li>▶ Select the entry <i>Load Setup Defaults</i>.</li> <li>▶ Select <i>OK</i> and press the Enter key.</li> </ul>
<p><i>Extended memory failed at offset: xxxx Failing Bits: zzzz zzzz</i></p> <p>When testing the extended memory an error has resulted at the address xxxx.</p>	<ul style="list-style-type: none"> <li>▶ Check whether the additional memory module has been inserted correctly.</li> </ul>
<p><i>Failure Fixed Disk n</i></p> <p>The settings of the hard disk drive are incorrect.</p>	<ul style="list-style-type: none"> <li>▶ Start the <i>BIOS Setup (Primary Master submenu)</i> and select the correct settings.</li> </ul>
<p><i>Keyboard controller error</i></p>	<ul style="list-style-type: none"> <li>▶ Switch the notebook off with the Power ON/OFF button.</li> <li>▶ Wait 3 - 5 seconds and switch on the notebook again.</li> </ul>
<p><i>Keyboard error</i></p>	<p>If you are using an external keyboard:</p> <ul style="list-style-type: none"> <li>▶ Check the connection and reboot the notebook.</li> </ul>
<p><i>nn Stuck key</i></p>	<ul style="list-style-type: none"> <li>▶ Make sure that no key is pressed.</li> </ul>
<p><i>Operating system not found</i></p>	<ul style="list-style-type: none"> <li>▶ Check in the <i>BIOS Setup</i> whether your hard disk has been set correctly.</li> <li>▶ Make sure that the operating system is installed on the corresponding drive.</li> </ul>
<p><i>Press &lt;F1&gt; to resume, &lt;F2&gt; to SETUP</i></p> <p>This error message appears if an error occurs during the self-test before starting the operating system.</p>	<ul style="list-style-type: none"> <li>▶ Press the <b>[F1]</b> function key to start the operating system.</li> <li>▶ Press the function key <b>[F2]</b> to access the <i>BIOS Setup</i>.</li> </ul>

Error message/cause	Resolution
<i>Previous boot incomplete - Default configuration used</i> Due to an error during the previous system boot, default values were used for certain settings. Check the settings in the BIOS Setup.	▶ Press the <input type="text" value="F1"/> function key when prompted to do so.
<i>Real time clock error</i>	▶ Contact your sales outlet or our customer service centre.
<i>nnnnK Shadow RAM failed at offset: xxxx Failing Bits: zzzz</i>	▶ Contact your sales outlet or our customer service centre.
<i>System battery is dead - Replace and run SETUP</i>	▶ Contact your sales outlet or our customer service centre.
<i>System cache error - Cache disabled</i>	▶ Contact your sales outlet or our customer service centre.
<i>System timer error</i>	▶ Contact your sales outlet or our customer service centre.

# Technical data



For detailed specifications, check the on-line tech specs on the Service and Support website: ["http://support.fujitsupc.com/CS/Portal/supporthome.do"](http://support.fujitsupc.com/CS/Portal/supporthome.do)

# LIFEBOOK

	LIFEBOOK E734	LIFEBOOK E744	LIFEBOOK E754
<b>Ambient conditions</b>			
Operating temperature	41°F – 95° F / 5 °C – 35 °C		
Temperature in transit	5° F – 140° F / 15 °C ... 60 °C		
<b>Dimensions</b>			
Width x depth x height	12.64 in. x 8.98 in. x .078-1.06 in. / 321 mm x 228 mm x 20.57–26.92 mm	13.31 in. x 9.10 in. x .078-1.06 in. / 338 mm x 231 mm x 20.57–26.92 mm	14.72 in. x 9.84 in. x .078-1.06 in. / 374 mm x 250 mm x 20.57–26.92 mm
<b>Weight</b>			
• with Weight Saver	approx. 3.73 lbs. (1.69 kg)	approx. 3.95 lbs. (1.79 kg)	approx. 4.28 lbs. (1.94 kg)
• with Optical Drive	approx. 3.95 lbs. (1.79 kg)	approx. 4.17 lbs. (1.89 kg)	approx. 4.50 lbs. (2.04 kg)
• with 2nd battery	approx 4.17 lbs. (1.89 kg)	approx 4.39 lbs. (1.99 kg)	approx. 4.72 lbs. (2.14 kg)
<b>Main memory</b>			
Slots	2 slots 204-pin DDR3L-1600 SO-DIMM with a total of max. 16 GB RAM		
Approved memory modules	2 GB, 4 GB or 8 GB DDR3L-1600 SO-DIMM		
<b>Display</b>			
Size	13.3 in. (33.8 cm)	14 in. (35.56 cm)	15.9 in. (39,9 cm)
Resolution	1,366 x 768 pixel, 300:1, 200 cd/m <sup>2</sup>	1600 x 900 pixel, 300:1, 250 cd/m <sup>2</sup>	LED backlight, (HD), Anti-glare display, magnesium  1,366 x 768 pixel, 300:1 , 200 cd/m <sup>2</sup>
Other	LED backlight, (HD), Anti-glare display, magnesium		IPS, (Full HD), Anti-glare display, magnesium  1,920 x 1,080 pixel, 300:1 , 300 cd/m <sup>2</sup>



The data sheet for the device provides further technical data. You will find the data sheet on your device or on the Internet at "<http://solutions.us.fujitsu.com>".

## Rechargeable battery

	6-cell rechargeable battery 1	6-cell rechargeable battery 2	6-cell rechargeable battery 3 (Bay Battery module compartment)
Rated voltage	10.8 V	10.8 V	10.8 V
Rated capacity	6700 mAh	5800 mAh	2600 mAh
Watt Hour ratings	72 Wh	63 Wh	28 Wh

## AC adapter (3 pin, 60 W and 90 W)

Electrical data	
Rated voltage	100 V – 240 V (automatic)
Rated frequency	50 Hz – 60 Hz (automatic)
Secondary	
Rated voltage	19 V
Max. rated current	3.42 A/4.22 A/5.27 A

An additional AC adapter or power cable can be ordered at any time from the online Accessory store: ["http://www.shopfujitsu.com/store/accstore.jsp"](http://www.shopfujitsu.com/store/accstore.jsp).

# Manufacturer's notes

## Disposal and recycling

You can find information on this subject on your notebook or on our website (["http://solutions.us.fujitsu.com/www/content/products/trade-in\\_program/"](http://solutions.us.fujitsu.com/www/content/products/trade-in_program/)).

## Recycling your battery

Over time, the batteries that run your mobile computer will begin to hold a charge for a shorter amount of time; this is a natural occurrence for all batteries. When this occurs, you may want to replace the battery with a fresh one\*. If you replace it, it is important that you dispose of the old battery properly because batteries contain materials that could cause environmental damage if disposed of improperly.

Fujitsu is very concerned with environmental protection, and has enlisted the services of the Rechargeable Battery Recycling Corporation (RBRC)\*\*, a nonprofit public service organization dedicated to protecting our environment by recycling old batteries at no cost to you.

RBRC has drop-off points at tens of thousands of locations throughout the United States and Canada. To find the location nearest you, go to ["www.RBRC.org"](http://www.RBRC.org) or call 1-800-822-8837.

If there are no convenient RBRC locations near you, you can also go to the EIA Consumer Education Initiative website ["http://EIAE.org/ "](http://EIAE.org/) and search for a convenient disposal location.



Remember – protecting the environment is a cooperative effort, and you should make every effort to protect it for current and future generations.

\* To order a new battery for your Fujitsu mobile computer, go to the Fujitsu shopping site at ["www.shopfujitsu.com"](http://www.shopfujitsu.com) in the US or ["www.fujitsu.ca/products/notebooks"](http://www.fujitsu.ca/products/notebooks) in Canada.

\*\* RBRC is an independent third party to which Fujitsu provides funding for battery recycling; RBRC is in no way affiliated with Fujitsu.

## Declarations of Conformity

This device complies with Part 15 of the FCC rules. Operations are subject to the following two conditions: (1) This device may not cause harmful interference, (2) This device must accept any interference received, including interference that may cause undesired operation.

## Regulatory notices

### FCC Notices

#### NOTICE:

Changes or modifications not expressly approved by Fujitsu could void this user's authority to operate the equipment.

#### Notice to Users of Radios and Television

These limits are designed to provide reasonable protection against harmful interference in a residential installation. This equipment generates, uses, and can radiate radio frequency energy and, if not installed and used in accordance with the instructions, may cause harmful interference to radio communications. However, there is no guarantee that interference will not occur in a particular installation. If this equipment does cause harmful interference to radio or television reception, which can be determined by turning the equipment off and on, the user is encouraged to try to correct the interference by one or more of the following measures:

- Reorient or relocate the receiving antenna.
- Increase the separation between the equipment and receiver.
- Connect the equipment into an outlet that is on a different circuit than the receiver.
- Consult the dealer or an experienced radio/TV technician for help.

## DOC (Industry CANADA) notice

### Radios and Television

This Class B digital apparatus meets all requirements of Canadian Interference-Causing Equipment Regulations.

CET appareil numérique de la class B respecte toutes les exigence du Règlement sur le matériel brouilleur du Canada.

### UL Notice

This unit requires an AC adapter to operate. Only use UL Listed I.T.E. adapters with an output rating of 19 VDC, with a minimum current of 3.42 (65W). The correct output rating is indicated on the AC adapter label. Refer to the illustration below for the correct AC Adapter output polarity:



When using your notebook equipment, basic safety precautions should always be followed to reduce the risk of fire, electric shock and injury to persons, including the following:

- Do not use this product near water for example, near a bathtub, washbowl, kitchen sink or laundry tub, in a wet basement or near a swimming pool.
- Use only the power cord and batteries indicated in this manual. Do not dispose of batteries in a fire. They may explode. Check with local codes for possible special disposal instructions.

### For Authorized Repair Technicians Only



#### CAUTION:

For continued protection against risk of fire, replace only with the same type and rating fuse.



#### WARNING:

Danger of explosion if Lithium (CMOS) battery is incorrectly replaced. Replace only with the same or equivalent type recommended by the manufacturer.

Dispose of used batteries according to the manufacturer's instructions.

## FCC Regulatory information

### Federal Communications Commission statement

This device complies with Part 15 of FCC Rules. Operation is subject to the following two conditions: (1) this device may not cause interference, and

(2) this device must accept any interference, including interference that may cause undesired operation of this device.

### FCC Interference Statement

This equipment has been tested and found to comply with the limits for a Class B digital device, pursuant to Part 15 of the FCC Rules. These limits are designed to provide reasonable protection against harmful interference in a residential installation. This equipment generates, uses, and can radiate radio frequency energy. If not installed and used in accordance with the instructions, it may cause harmful interference to radio communications.

However, there is no guarantee that interference will not occur in a particular installation.

If this equipment does cause harmful interference to radio or television reception, which can be determined by turning the equipment off and on, the user is encouraged to try to correct the interference by one or more of the following measures:

1. Reorient or relocate the receiving antenna.
2. Increase the distance between the equipment and the receiver.
3. Connect the equipment to an outlet on a circuit different from the one the receiver is connected to.
4. Consult the dealer or an experienced radio/TV technician for help.

Please note the following regulatory information related to the optional radio device.

### **FCC Radio Frequency Exposure statement**

This radio device has been evaluated under FCC Bulletin OET 65C and found compliant with the requirements as set forth in CFR 47 Sections 2.1091, 2.1093, and 15.247 (b) (4) addressing RF Exposure from radio frequency devices. The radiated output power of this radio device is far below the FCC radio frequency exposure limits. Nevertheless, this device shall be used in such a manner that the potential for human contact during normal operation is minimized. When using this device, a certain separation distance between antenna and nearby persons must be maintained to ensure RF exposure compliance. In order to comply with RF exposure limits established in the ANSI C95.1 standards, the distance between the antennas and the user should not be less than 20 cm (8 inches).

### **Regulatory Notes and Statements**

#### **Radio device, health and authorisation for use**

Radio-frequency electromagnetic energy is emitted from the wireless devices. The energy levels of these emissions, however, are far much less than the electromagnetic energy emissions from wireless devices such as mobile phones. Radio devices are safe for use by consumers because they operate within the guidelines found in radio frequency safety standards and recommendations.

The use of the radio devices may be restricted in some situations or environments, such as:

- on board an airplane, or
- in an explosive environment, or
- in situations where the interference risk to other devices or services is perceived or identified as harmful.

In cases in which the policy regarding use of radio devices in specific environments is not clear (e.g., airports, hospitals, chemical/oil/gas industrial plants, private buildings), obtain authorization to use these devices prior to operating the equipment.

### **Regulatory Information/Disclaimers**

#### **Export restrictions**

This product or software contains encryption code which may not be exported or transferred from the US or Canada without an approved US Department of Commerce export license. This device complies with Part 15 of FCC Rules, as well as ICES 003 B / NMB 003 B. Operation is subject to the following two conditions:

- (1) this device may not cause harmful interference, and
- (2) this device must accept any interference received, including interference that may cause undesirable operation.

Modifications not expressly authorized by Fujitsu may invalidate the user's right to operate this equipment.

## ENERGY STAR Compliance



Your Fujitsu system is an ENERGY STAR qualified mobile PC. By choosing a computer with the latest energy-saving technology, you're helping to preserve our environment for future generations. ENERGY STAR is a joint program of the U.S. Environmental Protection Agency, U.S. Department of Energy, Natural Resources Canada, and other governments around the world helping us save money while protecting the environment through energy efficient products and practices. With energy costs and global warming top-of-mind for consumers, Fujitsu is committed to offering solutions that help consumers conserve energy and improve the quality of our environment.

### **Sleep Mode:**

You will notice that your computer is initially set so that the display turns off after 15 minutes of user inactivity, and the computer goes into Sleep mode after 20 minutes of user inactivity. When going into Sleep mode, the computer also reduces the speed of any active Ethernet network links. To "wake" the computer from Sleep mode, press the Suspend/Resume Button.

### **Energy saving benefits:**

Fujitsu ENERGY STAR qualified mobile PCs use about half as much electricity as standard equipment – saving half in utility costs. But more than that, ENERGY STAR also makes a difference for the environment. Did you know that the average house can be responsible for twice the greenhouse gas emissions as the average car? That's because every time you flip on a light switch, run your dishwasher, or turn on your PC, you use energy, which means more greenhouse gas emissions from power plants. So the more energy we can save through energy efficiency, the more we help to reduce greenhouse gases and the risks of global warming.

To learn more about the important ENERGY STAR program, visit: ["www.energystar.gov"](http://www.energystar.gov).

To read about how Fujitsu is supporting Sustainable Management along with several other environmental activities, visit the Fujitsu Corporate Citizenship page at: ["http://www.computers.us.fujitsu.com/www/content/aboutus/environmental/environment.php"](http://www.computers.us.fujitsu.com/www/content/aboutus/environmental/environment.php).

# Index

## A

- A beep sounds every second 76
- AC adapter
  - connecting 19
  - setting up 19
- Acoustic error messages 79
- Alt + Tab 28
- Anti-theft protection 54
- Application keys 29
- Audio devices, connecting 64
- Audio ports 64

## B

- Back tab 28
- Backspace 25
- Bass speaker (subwoofer) 42
- Battery
  - battery life 33
  - caring for and maintaining 33
  - charge level 33, 40
  - charging 33
  - self-discharge 33
  - storage 33
- Battery indicator 22
- Battery status indicator
  - see Battery indicator 22
- Battery status meter 33
- Battery symbol
  - see Battery indicator 22
- BIOS Setup Utility
  - calling 73
  - exiting 74
  - operating 73
  - protecting with password 55
  - settings 73
- Bluetooth, safety notes 15
- Board 65
- Buffer battery, load 76
- Buttons 24

## C

- Caps Lock 25
  - indicator 22
- CD/DVD indicator 37
- CD/DVD:
  - manual emergency removal 38
- Charging capacity, battery 33
- Cleaning 17
- Components
  - installing / removing 65

- Configuration, BIOS Setup Utility 73
- Connecting audio devices 64
- Connecting headphones 64
- Crystal View display
  - cleaning 17
- Ctrl+Alt+Del 28
- Cursor control keys 25
- Cursor keys 25

## D

- Date is incorrect 76
- Declaration of conformity 85
- Device
  - setting up 19
- Devices
  - connecting 59
  - disconnecting 59
- DOC (INDUSTRY CANADA) NOTICES 87
- Drive
  - indicator 22
  - Removing 36

## E

- Emergency removal of data carrier 38
- Energy
  - energy saving 15
- Energy saving 15
- Energy saving mode
  - leaving 78
- Enter 25
- Enter key 25
- Error message:
  - on the screen 80
- Error messages on the screen 80
- Errors
  - Acoustic warnings 79
- ESD 65
- Ethernet LAN 47

## F

- Factory Image 75
- Fault
  - correction 75
- Fingerprint sensor 53
  - configure 53
- First-time setup 18
- Fn key 25
- Fn+F10 28
- Fn+F2 27

Fn+F3 27  
Fn+F4 28  
Fn+F6 28  
Fn+F7 28  
Fn+F8 28  
Fn+F9 28

**G**

Getting started 18

**H**

Handling  
  data carriers 37  
Hard disk:  
  restoring the contents 75  
Hardware configuration 73  
HDMI port 61

**I**

Important notes 14  
Incorrect date/time 76  
Indicator  
  Caps Lock 22  
  drive 22  
  Num Lock 22  
  Scroll Lock 22  
Inserting  
  a data carrier 38

**K**

Key combinations 27  
Keyboard 24  
  cleaning 17  
keyboard backlight  
  Activate 27  
  Deactivate 27

**L**

LCD screen  
  cleaning 17  
  decrease brightness 28  
  difficult to read 76  
  notes 31  
  reflected glare 76  
  remains blank 76  
LCD screen is too dark 76  
Life, battery 33  
Line feed 25

**M**

Main memory  
  see Adding memory 66  
Manual removal of data carrier 38  
Mechanical backup 54  
Memory card  
  handling 41  
  inserting 41  
  removing 41  
Memory expansion  
  installing 68  
  removing 67  
Memory module  
  important notes 66  
  installing 68  
  removing 67  
Microphone 42  
Microphone, connecting 64  
Mobile operation 16  
Modular bay device  
  Removing 36  
Modular bay devices 35  
Modules 35  
Monitor  
  connecting 60  
  drifting display 77  
  remains blank 77  
Monitor port  
  see VGA connection socket 60

**N**

Notebook  
  cannot be started 78  
  cleaning 17  
  stops working 78  
  switching off 23  
  transporting 16–17  
  using 21  
Notebook, operation 21  
Notes 14  
  boards 65  
  cleaning 17  
  disposal / recycling 85  
  energy saving 15  
  LCD screen 31  
  Safety 14  
  transport 16  
Num Lock  
  indicator 22, 26–27  
Numeric keypad 24  
  see Separate numeric keypad 27  
  see Virtual numeric keypad 26

### O

- Operating system
  - activating system protection 56
  - cancel system protection 56
  - protecting with password 56
- Operating system, recovering 75
- Optical drive 37

### P

- Packaging 18
- Password
  - changing 55
  - entering 55
  - removing 56
- Password protection 54
- Peripheral devices
  - connecting 59
  - disconnecting 59
- Port Replicator
  - Connecting a notebook 50
  - Ports 48
- Ports
  - Port Replicator 48
- Power
  - power consumption 40
  - power-management features 40
- Power-on indicator 21
- Preparing for operation 19
- Printer does not print 78

### R

- Radio component:
  - safety notes 15
- Rechargeable battery 33
  - see Battery 33
- Regulatory information
  - Notebooks with radio device 87
  - Notebooks without radio device 86
- Removing
  - a data carrier 38
- Removing memory
  - see Adding memory 66
- Return 25

### S

- Safety notes 14
- Screen
  - no screen display 77
- Screen brightness

- decrease 28
  - increase 28
  - Scroll Lock
    - indicator 22
  - Security functions 53
    - SystemLock 58
  - Security functions,
    - SmartCard 58
  - Security Lock 54
  - Selecting a location 19
  - Self-discharge, battery 33
  - Separate numeric keypad 27
  - Servicing 65
  - Setup
    - see BIOS Setup Utility 73
  - Shift 25
  - Shift + Tab 28
  - Shift key 25
  - Slot
    - Memory cards 41
  - Speakers 42
    - switch off 27
    - switch on 27
  - Standby indicator 21
  - Status indicators 21
  - Summer time 76
  - Supervisor HDD password
    - changing 55
    - entering 55
    - removing 56
  - Switching on
    - the notebook 23
  - Switching on for the first time 20
  - System configuration 73
  - System expansion 66
    - see Adding memory 66
  - System settings, BIOS Setup Utility 73
- ### T
- Tab key 25
  - Technical data 82
    - AC adapter 84
    - notebook 83
  - The radio connection to a network does not work 79
  - Time not correct 76
  - Time, daylight savings 76
  - Tips 75
  - Toggle output screen 28

Touchpad 28, 30  
  buttons 30  
  cleaning 17  
  dragging items 31  
  executing commands 31  
  moving the pointer 30  
  selecting an item 30  
  switch off 28  
Touchpad buttons 28  
TPM 57  
Transport  
  Transport damage 18  
Transportation 16–17  
Troubleshooting 75  
Trusted Platform Module 57

**U**

USB charging function 63  
USB ports 62  
User HDD password  
  changing 55

  entering 55  
  removing 56  
Using the Kensington Lock Cable 54

**V**

VGA connection socket 60  
Virtual numeric keypad 26  
Volume  
  decrease 28  
  increase 28  
Volume control 42

**W**

Webcam 32  
Weight Saver  
  Removing 36  
Windows key 25  
Wireless LAN:  
  safety notes 15